

INSTALLATION INSTRUCTION

Volta 2" LED-Downlight Square Trim

R2SD1T, R2SD2T

WAC LIGHTING
Responsible Lighting®

SAFETY INSTRUCTION

IMPORTANT: NEVER attempt any work without shutting off the electricity.

- Read all instructions before installing.
- System is intended for installation by a qualified electrician in accordance with the National Electrical Code and local regulations.
- Go to the main fuse box, or circuit breaker. Place the main power switch in the "OFF" position and unscrew the fuse(s) or switch "OFF" the circuit breaker switch(es) that control the power to the fixture or room that you are working on.
- Place the wall switch in the "OFF" position.

AVERTISSEMENT

IMPORTANT : Coupez l'électricité avant TOUTE manipulation.

- Lisez toutes les instructions avant d'installer.
- Système est destiné à être installé par un électricien qualifié en conformité avec le code national de l'électricité et les règlements locaux.
- Accédez au panneau central de disjoncteurs ou de fusibles de votre demeure et placez l'interrupteur principal en position d'arrêt (« OFF »).
- Placez l'interrupteur mural en position d'arrêt (« OFF »).

CAUTION

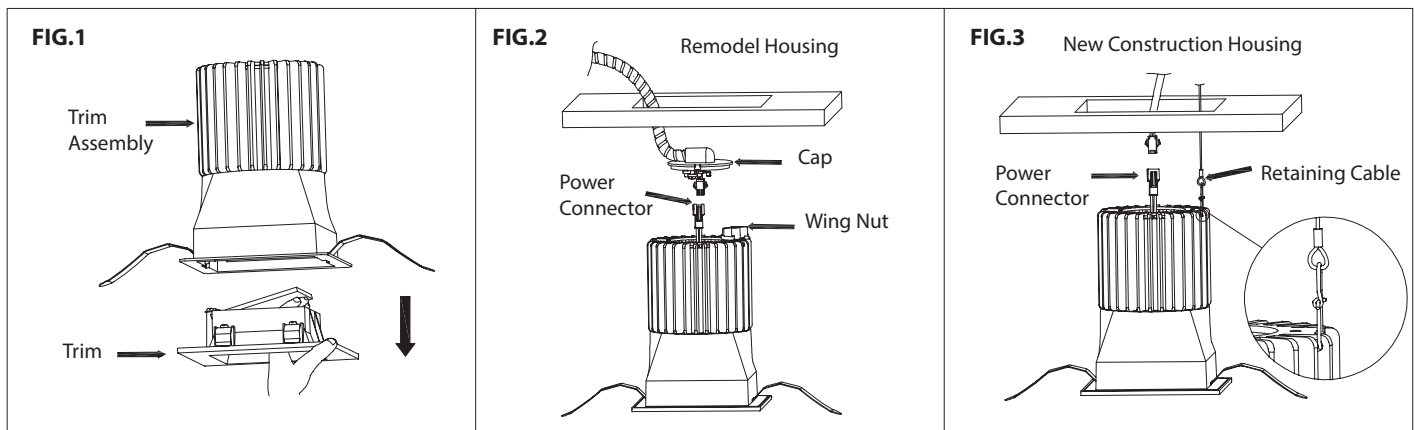
All parts must be used as indicated in these instructions. Do not substitute any parts, leave parts out, or use any parts that are worn out or broken. Failure to follow could invalidate the ETL/cETL listing of this fixture.

TRIM MODEL

The trim R2SD1T and R2SD2T can be used with remodel and new construction square housing applications. The invisible trim R2SD1T and R2SD2T can be used only with new construction square housing application. Refer to specification sheets for compatible housing and trim details. Follow appropriate housing instructions to begin installation.

TRIM AND INVISIBLE TRIM INSTALLATION (R2SD1T, R2SD2T)

1. Remove trim from trim assembly (See FIG.1).
2. Raise trim assembly to ceiling cutout.
3. For remodel housing application, connect power connector, install cap onto top of heat sink and turn wing nut to lock cap securely (no retaining cable) (See FIG.2).
4. For new construction housing application, connect power connector and retaining cable (See FIG.3).



wacighting.com
Phone (800) 526.2588
Fax (800) 526.2585

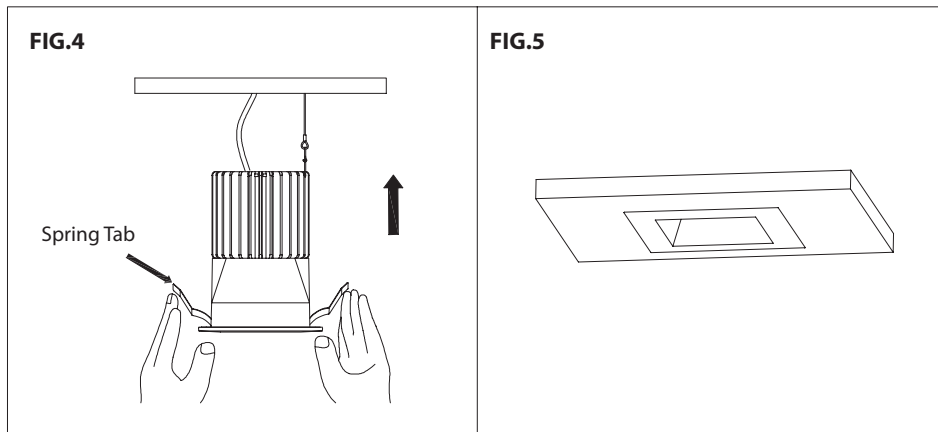
Headquarters/Eastern Distribution Center
44 Harbor Park Drive
Port Washington, NY 11050

Central Distribution Center
1600 Distribution Ct
Lithia Springs, GA 30122

Western Distribution Center
1750 Archibald Avenue
Ontario, CA 91760

INSTALLATION INSTRUCTION
Volta 2" LED-Downlight Square Trim
R2SD1T, R2SD2T

1. Fold trim assembly mounting spring tabs inward and insert trim assembly into ceiling cutout. Be sure once installed, trim assembly is flush and secure (See **FIG.4**).
2. Raise trim into trim assembly until trim is flush to ceiling surface (See **FIG. 5**).

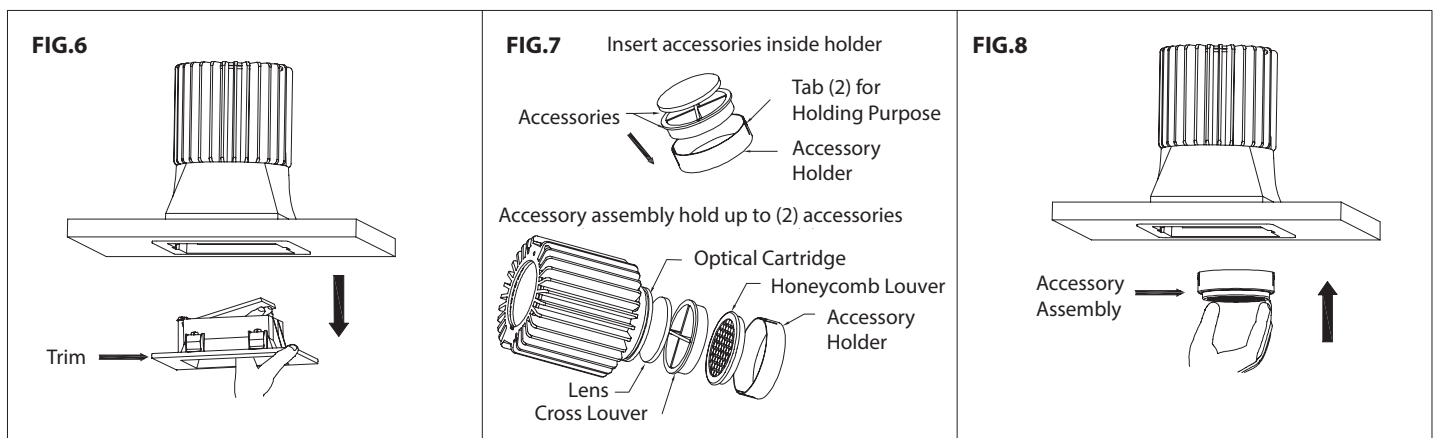


ACCESSORY INSTALLATION

Accessory and accessory holder can be used with standards trims and shallow trims.

1. Power off fixture and let fixture cool down.
2. Remove trim from ceiling and trim assembly (See **FIG.6**).
3. Prepare accessory holder with appropriate accessory (See **FIG.7**).
4. Raise the accessory assembly up into the trim opening, engage the accessory holder with optical cartridge and push up to end to lock (See **FIG.8**).
5. Raise trim into trim assembly until trim is flush with ceiling surface (See **FIG.5**).

Note: Accessories are capable of being installed with fixture on table top or in ceiling.



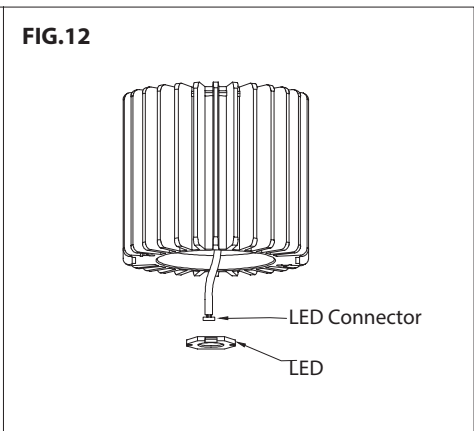
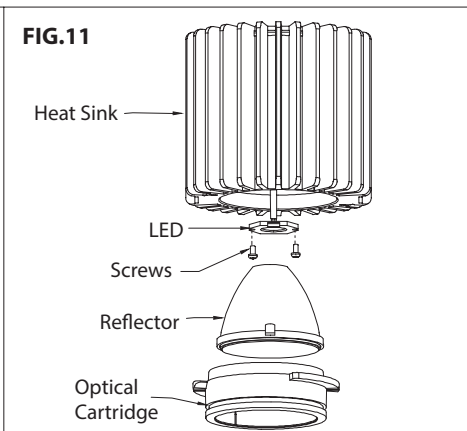
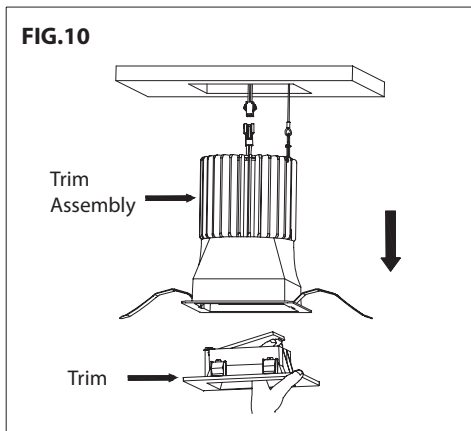
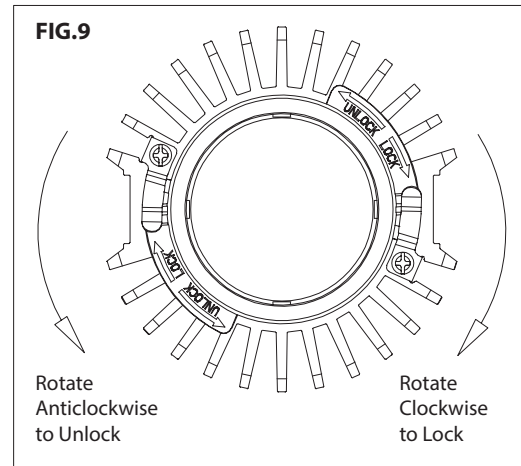
INSTALLATION INSTRUCTION
Volta 2" LED-Downlight Square Trim
R2SD1T, R2SD2T

REFLECTOR AND LED REPLACEMENT

1. Power off fixture and let fixture cool down.
2. Exchange reflector

Note: Not for spot distribution which features dedicated module

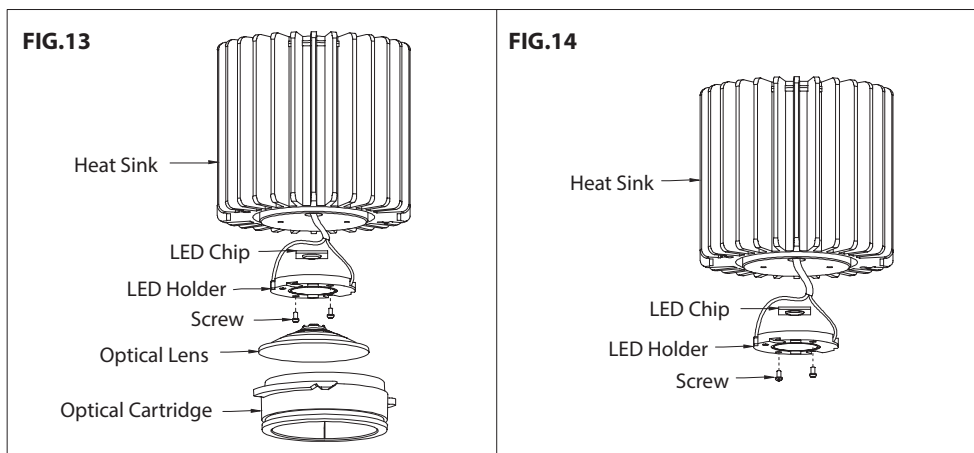
 - a. Remove trim from trim assembly (See **FIG.6**).
 - b. Inset hand into fixture opening to grip optical cartridge, rotate to unlock and take out (See **FIG.9**).
 - c. Insert replacement reflector into optical cartridge, put the whole assembly back inside fixture and lock it to heat sink (See **FIG.9**).
 - d. Put trim back into trim assembly to complete (See **FIG.5**).
3. Replace the LED module (For Narrow, Flood & Wide Beams)
 - a. Remove trim from trim assembly first, then trim assembly from ceiling or fixture aperture (See **FIG.10**).
 - b. For remodel housing application, remove cap and disconnect power connector (no retaining cable). For new construction housing application, disconnect power connector and retaining cable.
 - c. Unlock and remove the optical cartridge and reflector (See **FIG.9**).
 - d. Unscrew LED module and take it out from heat sink (See **FIG.11**).
 - e. Remove LED connector from LED module and discard the LED module (See **FIG.12**).
 - f. Coat the heat paste (by others or call the factory) on the back of new LED module, place it on heat sink by aligning two holes on LED with two screw holes on heat sink, then fasten LED by tightening two screws.
 - g. Connect LED module with LED connector.
 - h. Reinstall the reflector and optical cartridge (See **FIG.9**).
 - i. For remodel housing application, connect power connector and lock cap on top of heat sink. For new construction housing application, connect power connector and retaining cable.
 - j. Reinstall trim assembly and trim inside ceiling opening or fixture to complete.



INSTALLATION INSTRUCTION
Volta 2" LED-Downlight Square Trim
R2SD1T, R2SD2T

WAC LIGHTING
Responsible Lighting®

4. Replace the LED module (for spot beam)
 - a. Remove trim from trim assembly first, then trim assembly from ceiling or fixture aperture (See **FIG.10**).
 - b. For remodel housing application, remove cap and disconnect power connector (no retaining cable). For new construction housing application, disconnect power connector and retaining cable.
 - c. Unlock and remove the optical cartridge and lens (See **FIG.9**).
 - d. Unscrew and remove the LED holder (See **FIG.13**).
 - e. Replace LED module from heat sink by new one, and discard the old LED module.
 - f. Coat the heat paste (by others or call the factory) on the back of new LED module, then mount LED onto the LED holder. Make sure the LED positive matching the holder positive (See **FIG.14**).
 - g. Place back the LED holder on heat sink by tightening two screws.
 - h. Lock the optical cartridge with lens on heat sink (See **FIG.9**).
 - i. For remodel housing application, connect power connector and lock cap on top of heat sink. For new construction housing application, connect power connector and retaining cable.
 - j. Reinstall trim assembly and trim inside ceiling opening or fixture to complete.



waclighting.com
Phone (800) 526.2588
Fax (800) 526.2585

Headquarters/Eastern Distribution Center
44 Harbor Park Drive
Port Washington, NY 11050

Central Distribution Center
1600 Distribution Ct
Lithia Springs, GA 30122

Western Distribution Center
1750 Archibald Avenue
Ontario, CA 91760