

INSTALLATION INSTRUCTION

Volta 2" LED-Adjustable/Pinhole Square Trim

R2SAT, R2SPT

WAC LIGHTING
Responsible Lighting®

SAFETY INSTRUCTION

IMPORTANT: NEVER attempt any work without shutting off the electricity.

- Read all instructions before installing.
- System is intended for installation by a qualified electrician in accordance with the National Electrical Code and local regulations.
- Go to the main fuse box, or circuit breaker. Place the main power switch in the "OFF" position and unscrew the fuse(s) or switch "OFF" the circuit breaker switch(es) that control the power to the fixture or room that you are working on.
- Place the wall switch in the "OFF" position.

AVERTISSEMENT

IMPORTANT : Coupez l'électricité avant TOUTE manipulation.

- Lisez toutes les instructions avant d'installer.
- Système est destiné à être installé par un électricien qualifié en conformité avec le code national de l'électricité et les règlements locaux.
- Accédez au panneau central de disjoncteurs ou de fusibles de votre demeure et placez l'interrupteur principal en position d'arrêt (« OFF »).
- Placez l'interrupteur mural en position d'arrêt (« OFF »).

CAUTION

All parts must be used as indicated in these instructions. Do not substitute any parts, leave parts out, or use any parts that are worn out or broken. Failure to follow could invalidate the ETL/cETL listing of this fixture.

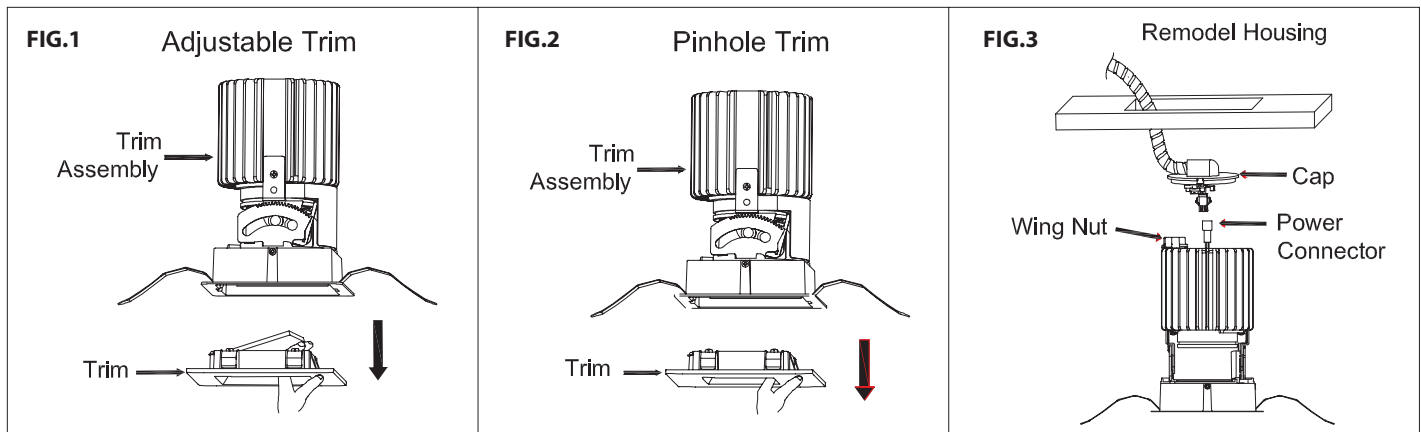
TRIM MODEL

The trim R2SAT and R2SPT can be used with remodel and new construction square housings. The invisible trim R2SAT and R2SPT can be used only with new construction square housing. Refer to specification sheets for compatible housing and trim details. Follow appropriate housing instructions to begin installation.

TRIM AND INVISIBLE TRIM INSTALLATION(R2SAT, R2SPT)

Note: Before installation, make sure the trim assembly is in vertical straight position.

1. Remove trim from trim assembly (See **FIG.1 & 2**), then raise the trim assembly to ceiling cutout.
2. For remodel housing application, connect power connector, install cap onto top of heat sink and turn wing nut to lock cap securely (no retaining cable) (See **FIG.3**).



waclighting.com
Phone (800) 526.2588
Fax (800) 526.2585

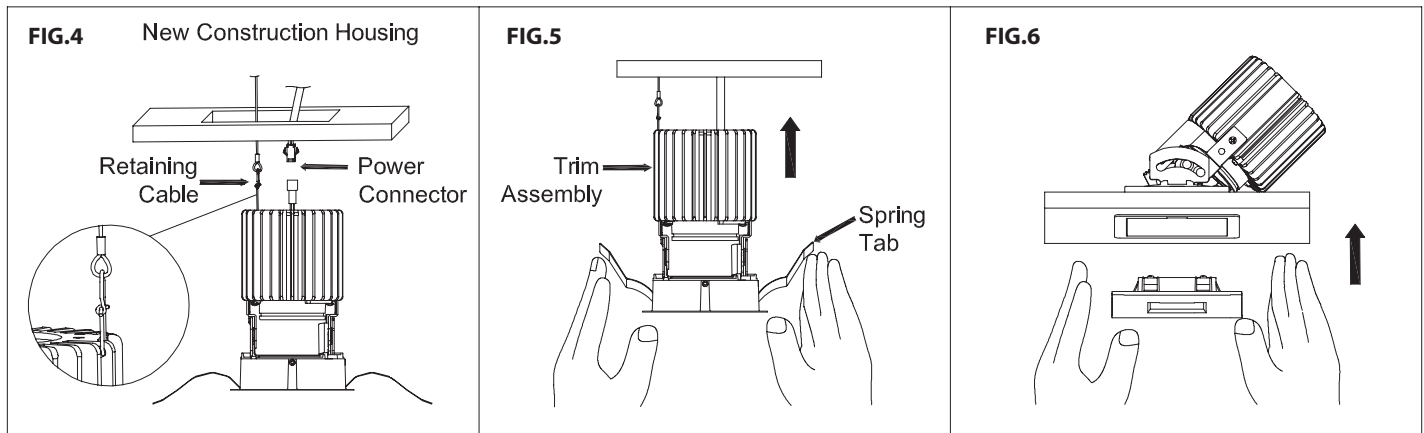
Headquarters/Eastern Distribution Center
44 Harbor Park Drive
Port Washington, NY 11050

Central Distribution Center
1600 Distribution Ct
Lithia Springs, GA 30122

Western Distribution Center
1750 Archibald Avenue
Ontario, CA 91760

INSTALLATION INSTRUCTION
Volta 2" LED-Adjustable/Pinhole Square Trim
R2SAT, R2SPT

3. For new construction housing application, connect power connector and retaining cable (See **FIG.4**).
4. Fold trim assembly mounting spring tabs inward and insert trim assembly into ceiling cutout. Be sure once installed, trim assembly is flush and secure (See **FIG.5**).
5. Before insert trim inside trim assembly, the trim assembly needs to be adjusted to the desired position horizontally and vertically. See the following section of optional adjustment features for the details.
6. After finishing the adjustment, raise trim into trim assembly until the trim is flush with ceiling surface. (See **FIG.6**).



OPTIONAL ADJUSTMENT FEATURES

The adjustable/pinhole trims can be adjusted to aim the light beam to accent objects, walls, etc. This action needs to be done before the trim is installed

1. Horizontal (Rotational) Adjustment

The trim assembly is capable of being horizontally rotated up to 365 degrees, and can be locked in place once the adjustment is done.

- a. Use the Philips-head screw driver to loosen the locking screw by turning anti-clockwise in order to rotate trim assembly freely to aim the beam of light horizontally (See **FIG.7**).
- b. After adjusting trim assembly to the desired position, lock it in-place by turning the locking screw clockwise to the end (See **FIG.7**).

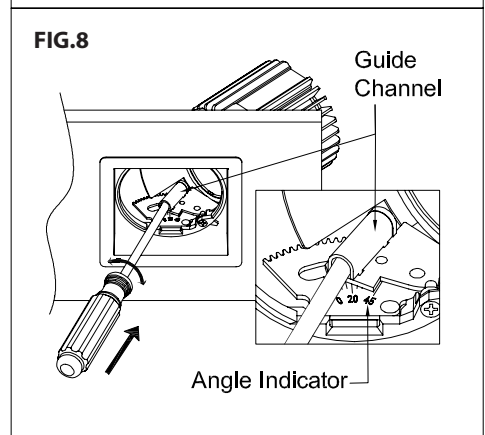
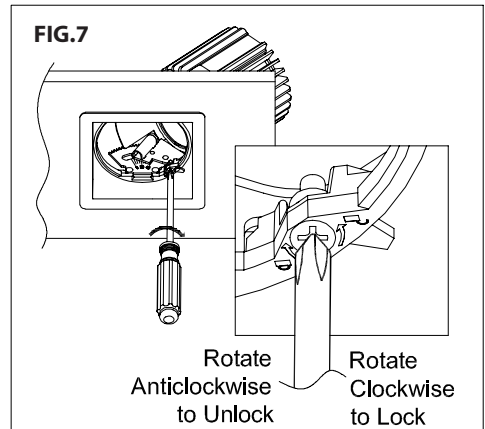
2. Vertical (Angular) Adjustment

The trim assembly is capable of being vertically adjusted between 0-45 degrees, and can be self-locked in place once the adjustment is done.

- a. Insert the Philips-head screw driver into the guide channel.
- b. Gently push up screw drive to release spring latch. While holding latch up, tilt screw driver handle until the desired angle is achieved. The angle indicator is marked with lines in 5° increments to assist with positioning (See **FIG.8**).

Note:

The adjustable/pinhole trims have the Hot-Aiming feature for both horizontal rotation and vertical adjusting.



INSTALLATION INSTRUCTION

Volta 2" LED-Adjustable/Pinhole Square Trim

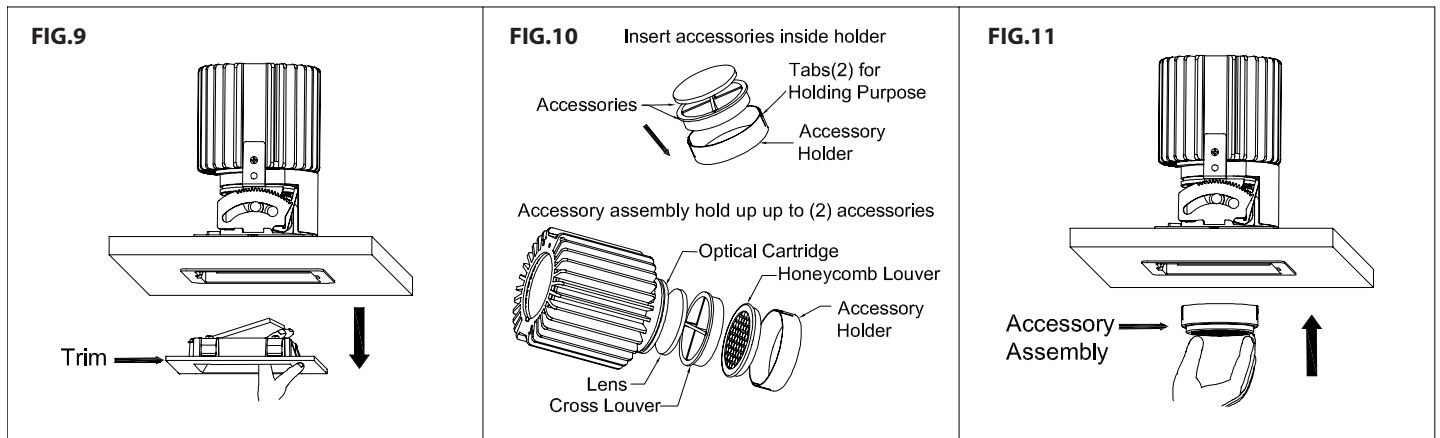
R2SAT, R2SPT

WAC LIGHTING
Responsible Lighting®

ACCESSORY INSTALLATION

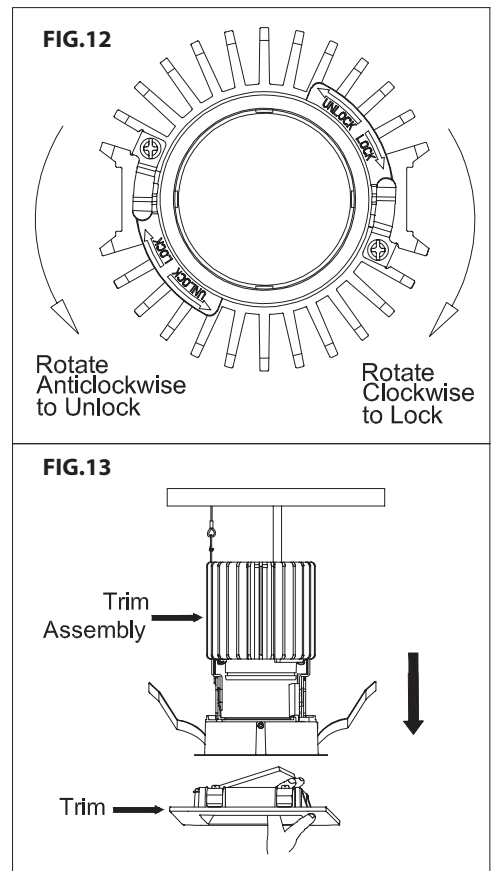
1. Power off fixture and let fixture cool down.
2. Remove trim from trim assembly (See FIG.9).
3. Adjust trim assembly to the vertical straight position.
4. Prepare accessory holder with appropriate accessory (See FIG.10).
5. Raise the accessory assembly up into the trim opening, engage the accessory holder with optical cartridge and push up to end to lock (See FIG.11).
6. Put back trim assembly to the desired position.
7. Reinstall trim into trim assembly until trim is flush with ceiling surface (See FIG.6).

Note: Accessories are capable of being installed with fixture on table top or in ceiling.



REFLECTOR AND LED REPLACEMENT

1. Power off fixture and let fixture cool down.
2. Exchange reflector
Note: Not for spot distribution which features dedicated module
a. Remove trim from trim assembly (See FIG.9).
b. Adjust trim assembly to the vertical straight position.
c. Insert hand into fixture opening to grip optical cartridge, rotate to unlock and take out (See FIG.12).
d. Insert the replacement reflector into optical cartridge, put the whole assembly back inside fixture and lock it to heat sink (See FIG.12).
e. Put back trim assembly to the original position. Reinstall trim inside ceiling opening or fixture to complete (See FIG. 6).
3. Replace the LED module (For Narrow & Flood Beams)
a. Remove trim from trim assembly first, then adjust trim assembly to the vertical straight position and take out trim assembly from the ceiling or fixture aperture (See FIG.13).
b. For remodel housing application, remove cap and disconnect power connector (no retaining cable). For new construction housing application, disconnect power connector and retaining cable.
c. Unlock and remove the optical cartridge and reflector (See FIG.12).



wacighting.com
Phone (800) 526.2588
Fax (800) 526.2585

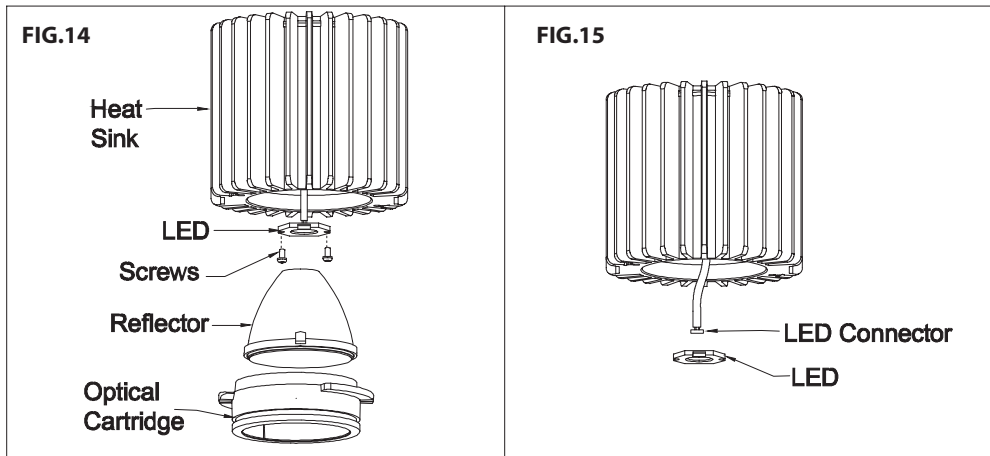
Headquarters/Eastern Distribution Center
44 Harbor Park Drive
Port Washington, NY 11050

Central Distribution Center
1600 Distribution Ct
Lithia Springs, GA 30122

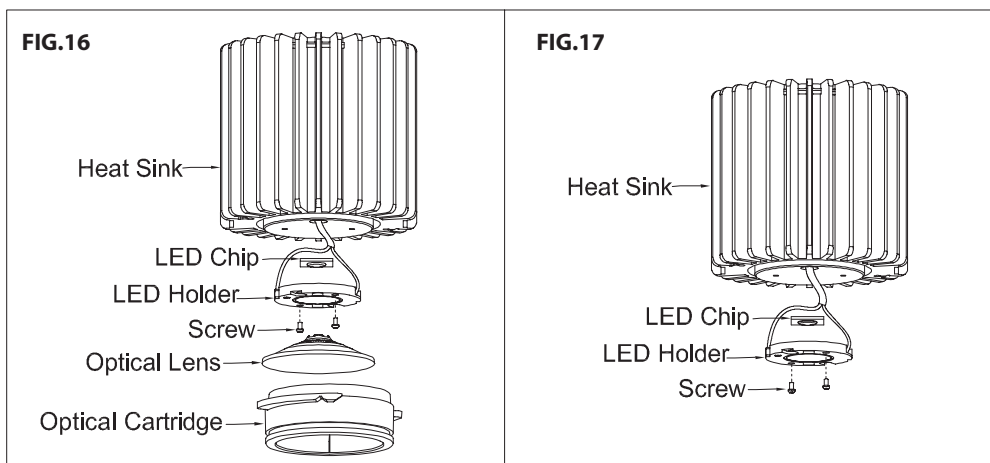
Western Distribution Center
1750 Archibald Avenue
Ontario, CA 91760

INSTALLATION INSTRUCTION
Volta 2" LED-Adjustable/Pinhole Square Trim
R2SAT, R2SPT

- d. Unscrew LED module and take it out from heat sink (See **FIG.14**).
- e. Remove LED connector from LED module and discard the LED module (See **FIG.15**).
- f. Coat the heat paste (by others or call the factory) on the back of new LED module and place it on heat sink by aligning two holes on LED with two screw holes on heat sink.
- g. Connect LED module with LED connector.
- h. Reinstall the reflector and optical cartridge (See **FIG.12**).
- i. For remodel housing application, connect power connector and lock cap on top of heat sink. For new construction housing application, connect power connector and retaining cable.
- j. Reinstall the trim assembly and trim inside ceiling opening or fixture to complete.



4. Replace the LED module (For Spot Beam)
 - a. Remove trim from trim assembly first, then trim assembly from ceiling or fixture aperture (See **FIG.13**).
 - b. For remodel housing application, remove cap and disconnect power connector (no retaining cable). For new construction housing application, disconnect power connector and retaining cable.
 - c. Unlock and remove the optical cartridge and lens (See **FIG.12**).
 - d. Unscrew and remove the LED holder (See **FIG.16**).
 - e. Remove and discard the LED module from heat sink.
 - f. Coat the heat paste (by others or call the factory) on the back of new LED module, then mount LED onto the LED holder. Make sure the LED positive matching the holder positive (See **FIG.17**).
 - g. Place back the LED holder on heat sink by tightening two screws.
 - h. Lock the optical cartridge and lens on heat sink (See **FIG.12**).
 - i. For remodel housing application, connect power connector and lock cap on top of heat sink. For new construction housing application, connect power connector and retaining cable.
 - j. Reinstall the trim assembly and trim inside ceiling opening or fixture to complete.



waclighting.com
Phone (800) 526.2588
Fax (800) 526.2585

Headquarters/Eastern Distribution Center
44 Harbor Park Drive
Port Washington, NY 11050

Central Distribution Center
1600 Distribution Ct
Lithia Springs, GA 30122

Western Distribution Center
1750 Archibald Avenue
Ontario, CA 91760