

R2RWT, R2SWT

2" Volta - Wallwash Trim

WAC LIGHTING

Responsible Lighting®



Fixture Type:

Catalog Number:

Project: _____

Location: _____

PRODUCT DESCRIPTION

Volta LED downlight series represents an innovation in design and technology for architectural lighting. This high lumen and adaptable family of fixtures with a comprehensive set of round and square fittings, affords a sustainable solution for commercial, corporate, and upscale residential applications.

FEATURES

- Innovative bi-directional spread lens
- Engineered for even wall illumination both vertically and horizontally
- Dual finishes are single piece, no physical seams
- 5 year WAC Lighting product warranty

SPECIFICATIONS

Construction: Durable die-cast self-flanged aluminum construction

Input: Universal 120 - 277V AC 50/60 Hz

Dimming: Electronic Low Voltage (ELV): 100%-5%
0-10V: 100-0%
Lutron Hi-Lume 1% Ecosystem Fade-to-Black option

Light Source: High output 3-step Mac Adam Ellipse COB
Rated life of 50,000 hours at L70

Mounting: Heavy gauge retention clips support trim firmly. Safety cabling standard.
Ceiling cut out Round Trimmed: Ø 3 9/16" Invisible Trim: Ø 4 1/4"
Ceiling cut out Square Trimmed: 3 9/16" x 3 9/16" Invisible Trim: 4 1/4" x 4 1/4"
Accommodates 1/2" - 1" ceiling thickness

Finish: Electrostatically powder coated White, Black. Enamel coated Haze. Plated and brushed Copper Bronze.

Standards: ETL & cETL Wet location Listed

Lumens CBCP

Model	Beam	Reference	Output*	Color Temp	CRI	Finishes	Reflector/Trim
 Round	Round	1020	670	827 2700K 85 830 3000K 85 835 3500K 85 840 4000K 85	BK Black BKWT Black/White CB Copper Bronze HZ Haze HZWT Haze/White WT White	BK BKWT CB HZ HZWT WT	
	Square	940	655	927 2700K 90 930 3000K 90			
 Square	Asym						

R2__WT-_____-_____

Example: **R2SWT-A827-HZ**

*Reference output shows **830**(85CRI 3000K) trim with **22** housing. Use multiplier table below to determine the output for other combinations.

Multiplier	TRIM					
	827	927	830	930	835	840
HOUSING 22	0.95	0.81	1.00	0.86	1.05	1.07
HOUSING 15	0.66	0.56	0.69	0.59	0.72	0.74

Example: **R2SWT-A840-WT** with **15** housing: 940 lm (Reference Output) x 0.74 (Multiplier) = 696 lm

685 CBCP (Reference Output) x 0.74 (Multiplier) = 507 CBCP

Please see next page for housing units(required)

wacighting.com
Phone (800) 526.2588
Fax (800) 526.2585

Headquarters/Eastern Distribution Center
44 Harbor Park Drive
Port Washington, NY 11050

Central Distribution Center
1600 Distribution Ct
Lithia Springs, GA 30122

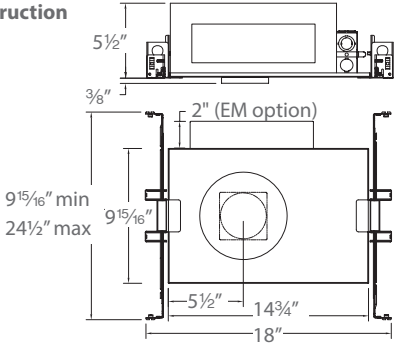
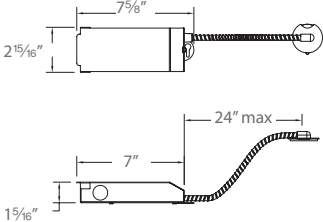
Western Distribution Center
1750 Archibald Avenue
Ontario, CA 91760

R2RWT, R2SWT

2" Volta - Wallwash Trim

WAC LIGHTING

Responsible Lighting®

HOUSING (Required)	Model	Trim	Power	Driver	Emergency Backup
New Construction Airtight IC 	R2RN Round R2RC Round Chicago Plenum R2SN Square R2SC Square Chicago Plenum	T Trim L Invisible Trim	15 15W IC 22 22W IC	DEFAULT L1 ELV, 0-10V Lutron Hi-Lume 1%	EM Optional
Remodel Non-IC 	R2BR	T Trim	15 15W Non-IC 22 22W Non-IC	DEFAULT ELV, 0-10V	N/A

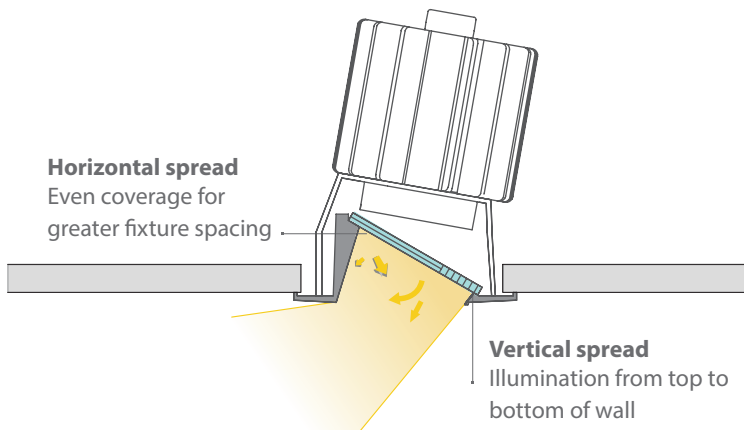
R2 _____ - _____

Example: **R2RNT-15** or **R2RNT-15EM** (with Emergency backup battery)

WOOD AND METAL CEILING ADAPTERS

R2R-ADP1 Round 1/2" to 1" ceiling thickness (Wall wash trims 1" max ceiling thickness)	R2S-ADP1 Square 1/2" to 1" ceiling thickness (Wall wash trims 1" max ceiling thickness)
---	--

BI-DIRECTIONAL SPREAD LENS



AVERAGE WALL ILLUMINANCE*

R2RWT-A830 8' CEILING	ON-CENTER SPACING			
	3'		4'	
	15W	9 fc	15W	7 fc
DISTANCE FROM WALL	3'	22W 13 fc	22W 10 fc	
	4'	22W 10 fc	22W 8 fc	

R2SWT-A830 8' CEILING	ON-CENTER SPACING			
	3'		4'	
	15W	8 fc	15W	6 fc
DISTANCE FROM WALL	3'	22W 12 fc	22W 9 fc	
	4'	22W 9 fc	22W 8 fc	

*Results may vary depending on field conditions such as surface properties, ambient light levels, etc.

wacighting.com Phone (800) 526.2588 Fax (800) 526.2585	Headquarters/Eastern Distribution Center 44 Harbor Park Drive Port Washington, NY 11050	Central Distribution Center 1600 Distribution Ct Lithia Springs, GA 30122	Western Distribution Center 1750 Archibald Avenue Ontario, CA 91760
---	--	--	--