

# INSTALLATION INSTRUCTION

## Volta 2" LED-Wall Wash Round Trim

### R2RWT

WAC LIGHTING  
Responsible Lighting®

#### SAFETY INSTRUCTION

IMPORTANT: NEVER attempt any work without shutting off the electricity.

- Read all instructions before installing.
- System is intended for installation by a qualified electrician in accordance with the National Electrical Code and local regulations.
- Go to the main fuse box, or circuit breaker. Place the main power switch in the "OFF" position and unscrew the fuse(s) or switch "OFF" the circuit breaker switch(es) that control the power to the fixture or room that you are working on.
- Place the wall switch in the "OFF" position.

#### AVERTISSEMENT

IMPORTANT : Coupez l'électricité avant TOUTE manipulation.

- Lisez toutes les instructions avant d'installer.
- Système est destiné à être installé par un électricien qualifié en conformité avec le code national de l'électricité et les règlements locaux.
- Accédez au panneau central de disjoncteurs ou de fusibles de votre demeure et placez l'interrupteur principal en position d'arrêt (« OFF »).
- Placez l'interrupteur mural en position d'arrêt (« OFF »).

#### CAUTION

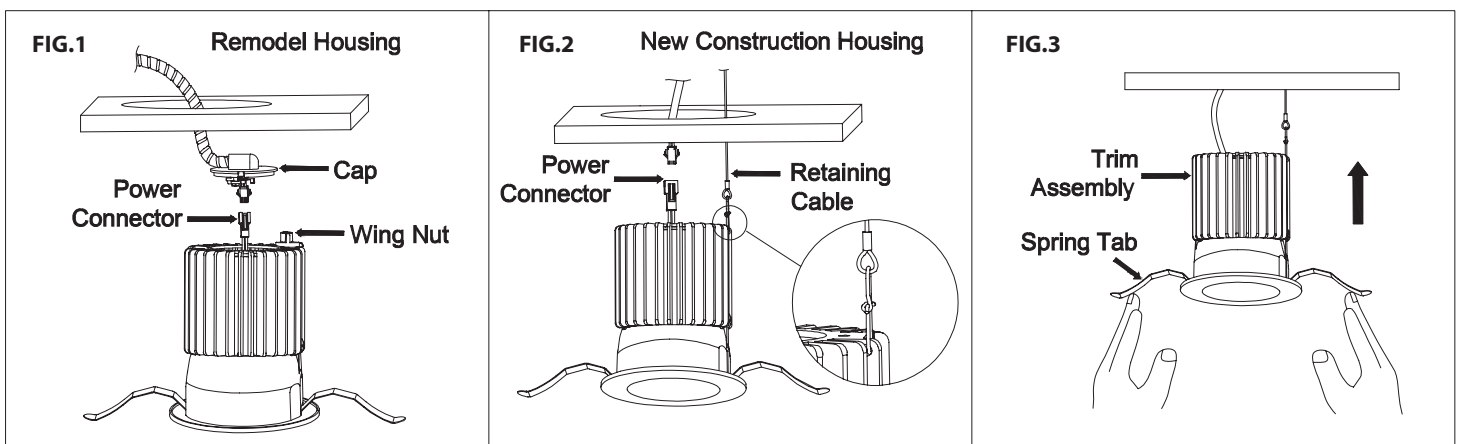
All parts must be used as indicated in these instructions. Do not substitute any parts, leave parts out, or use any parts that are worn out or broken. Failure to follow could invalidate the ETL/cETL listing of this fixture.

#### TRIM MODEL

The trim R2RWT can be used with remodel and new construction round housings. The invisible trim R2RWT can be used only with new construction round housing. Refer to specification sheets for compatible housing and trim details. Follow appropriate housing instructions to begin installation.

#### TRIM INSTALLATION (R2RWT)

1. Raise trim assembly to ceiling cutout.
2. For remodel housing application, connect power connector, install cap onto top of heat sink and turn wing nut to lock cap securely (no retaining cable) (See **FIG.1**).
3. For new construction housing application, connect power connector and retaining cable (See **FIG.2**).
4. Fold trim assembly mounting spring tabs inward and insert trim assembly into ceiling cutout with the angle of heat sink opposite the wall to be illuminated. Be sure once installed, trim assembly is flush and secure (See **FIG.3**).



waclighting.com  
Phone (800) 526.2588  
Fax (800) 526.2585

Headquarters/Eastern Distribution Center  
44 Harbor Park Drive  
Port Washington, NY 11050

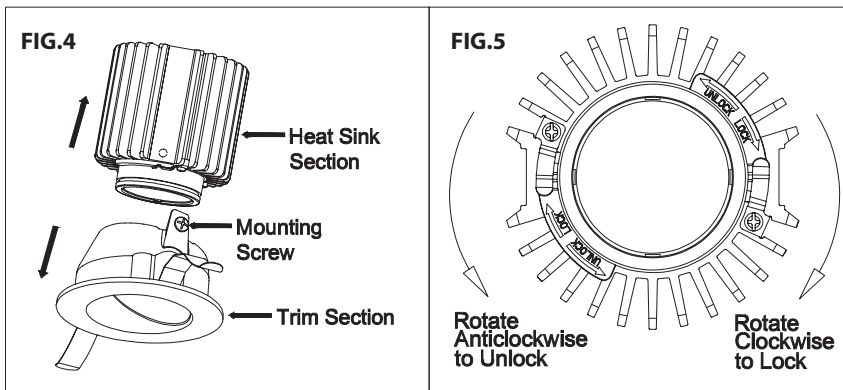
Central Distribution Center  
1600 Distribution Ct  
Lithia Springs, GA 30122

Western Distribution Center  
1750 Archibald Avenue  
Ontario, CA 91760

**INSTALLATION INSTRUCTION**  
**Volta 2" LED-Wall Wash Round Trim**  
**R2RWT**

**REFLECTOR AND LED REPLACEMENT**

1. Power off fixture and let fixture cool down.
2. Remove trim assembly from ceiling or fixture aperture.
3. For remodel housing application, remove cap and disconnect power connector (no retaining cable). For new construction housing application, disconnect power connector and retaining cable.
4. Separate heat sink section from trim section by unscrew two mounting screws on trim (See **FIG.4**).
5. Exchange reflector
  - a. Grip optical cartridge, rotate to unlock and take out from heat sink (See **FIG.5**).
  - b. Insert the replacement reflector into optical cartridge, put the whole assembly back and lock it to heat sink (See **FIG.5**).
  - c. Reconnect heat sink section with trim section.
  - d. For remodel housing application, connect power connector and lock cap on top of heat sink. For new construction housing application, connect power connector and retaining cable.
  - e. Reinstall trim assembly on ceiling or inside fixture to complete (See **FIG.3**).



6. Replace the LED module
  - a. Repeat step 1 to step 4.
  - b. Unlock and remove the optical cartridge and reflector from heat sink (See **FIG.5**).
  - c. Unscrew LED module and take it out from heat sink (See **FIG.6**).
  - d. Remove LED connector from LED module and discard the LED module (See **FIG.7**).
  - e. Coat the heat paste (by others or call the factory) on the back of new LED module, place it on heat sink by aligning two holes on LED with two screw holes on heat sink, then fasten LED by tightening two screws.
  - f. Connect LED with LED connector.
  - g. Reinstall the optical cartridge and reflector (See **FIG.5**).
  - h. Reconnect heat sink section with trim section.
  - i. For remodel housing application, connect power connector and lock cap on top of heat sink. For new construction housing application, connect power connector and retaining cable.
  - j. Put trim assembly back on ceiling or inside fixture to complete (See **FIG.3**).

