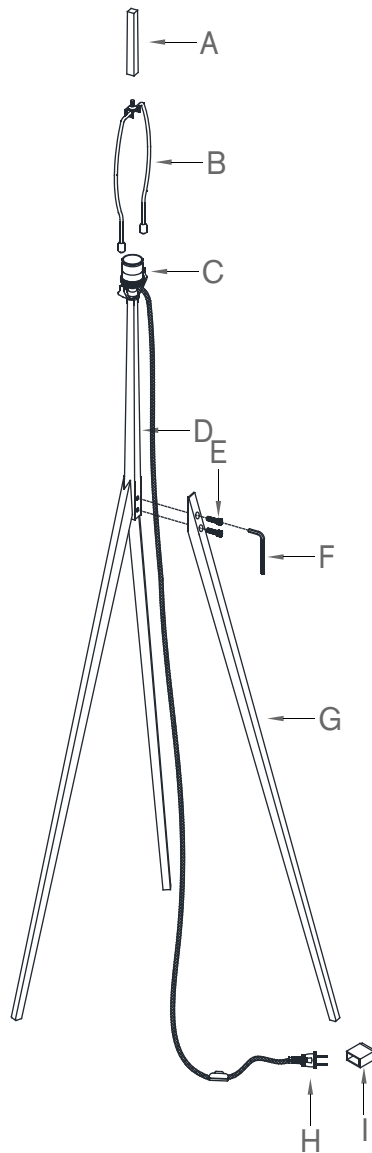


ASSEMBLY INSTRUCTIONS

Triad Hand-Forged Floor Lamp Item # S1641

INSPECT ITEM CAREFULLY BEFORE ATTEMPTING TO INSTALL. IF THERE IS ANY DAMAGE OR OBVIOUS DEFECT, DO NOT INSTALL.

ITEM MAY NOT BE RETURNED ONCE IT HAS BEEN INSTALLED.



1. Carefully remove all parts from the carton.
2. Remove bolts (E) from fixture body (D) with Allen wrench (F).
3. Attach support bar (G) to fixture body (D) by aligning the holes and inserting bolts (E). Tighten with Allen wrench (F).
4. Insert harp (B) into harp saddle (C) by squeezing both sides of harp (B).
5. Remove finial (A) from harp (B). Place lamp shade (not included) over the bolt attached on top of harp (B). Screw finial (A) onto the bolt to secure shade to the harp (B).
6. Insert light bulb into socket.
7. Remove plastic cover (I) from electrical plug (H).
8. Plug lamp into wall outlet.

***Clean with a dry, soft cloth only. Use no harsh abrasives or chemical agents.