

Hollis Wall

TO1001, TO1011 | 1.0

VISUAL COMFORT & Co.

STUDIO COLLECTION

GENERAL PRODUCT INFORMATION:

These fixtures are intended to be installed utilizing NEC compliant junction boxes.

This product is safety listed for wet locations.

Incandescent version may be dimmed with a standard incandescent dimmer. LED version may be dimmed with a LED dimmer. Consult lamp manufacturer for additional information.

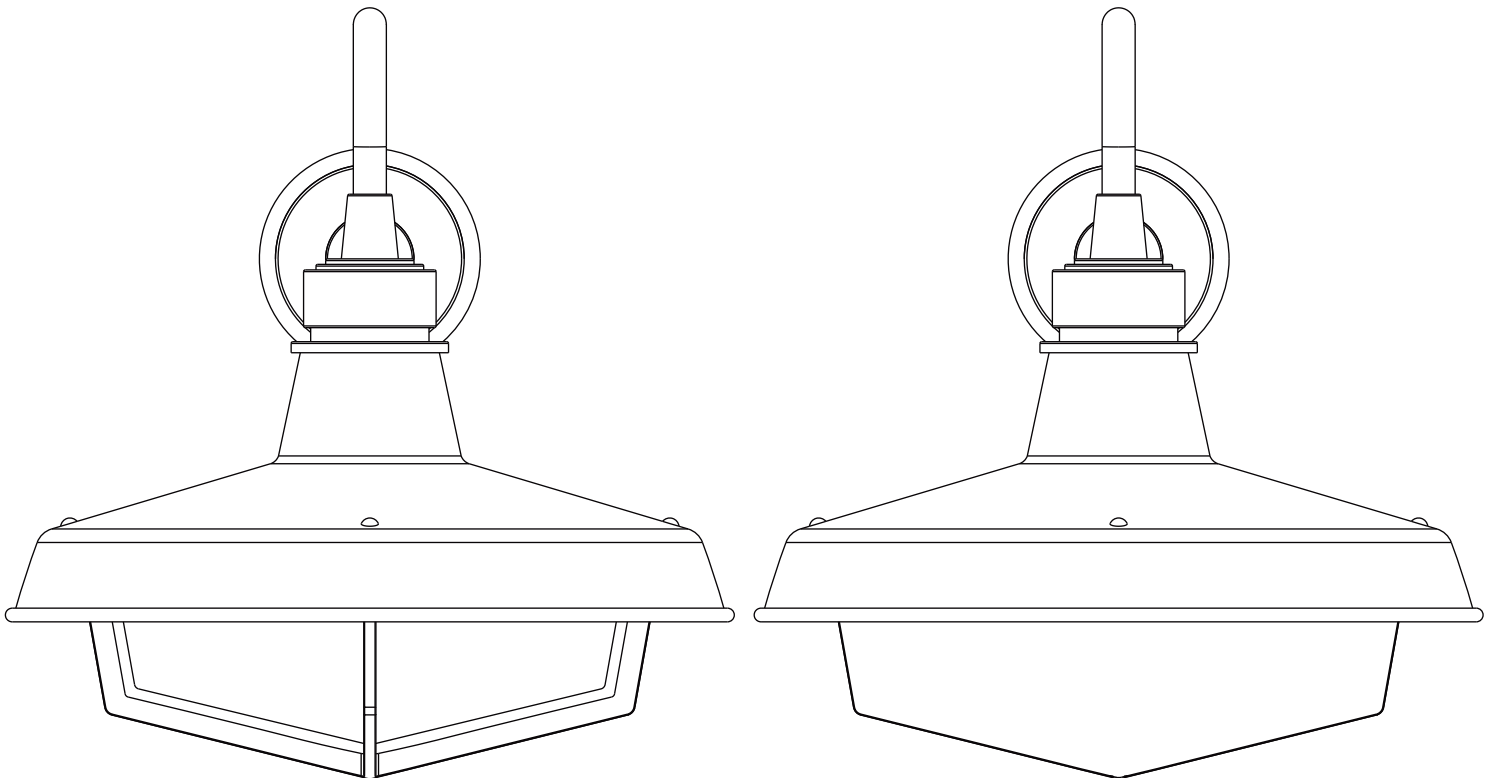
This instruction shows a typical installation.

CAUTION - RISK OF FIRE

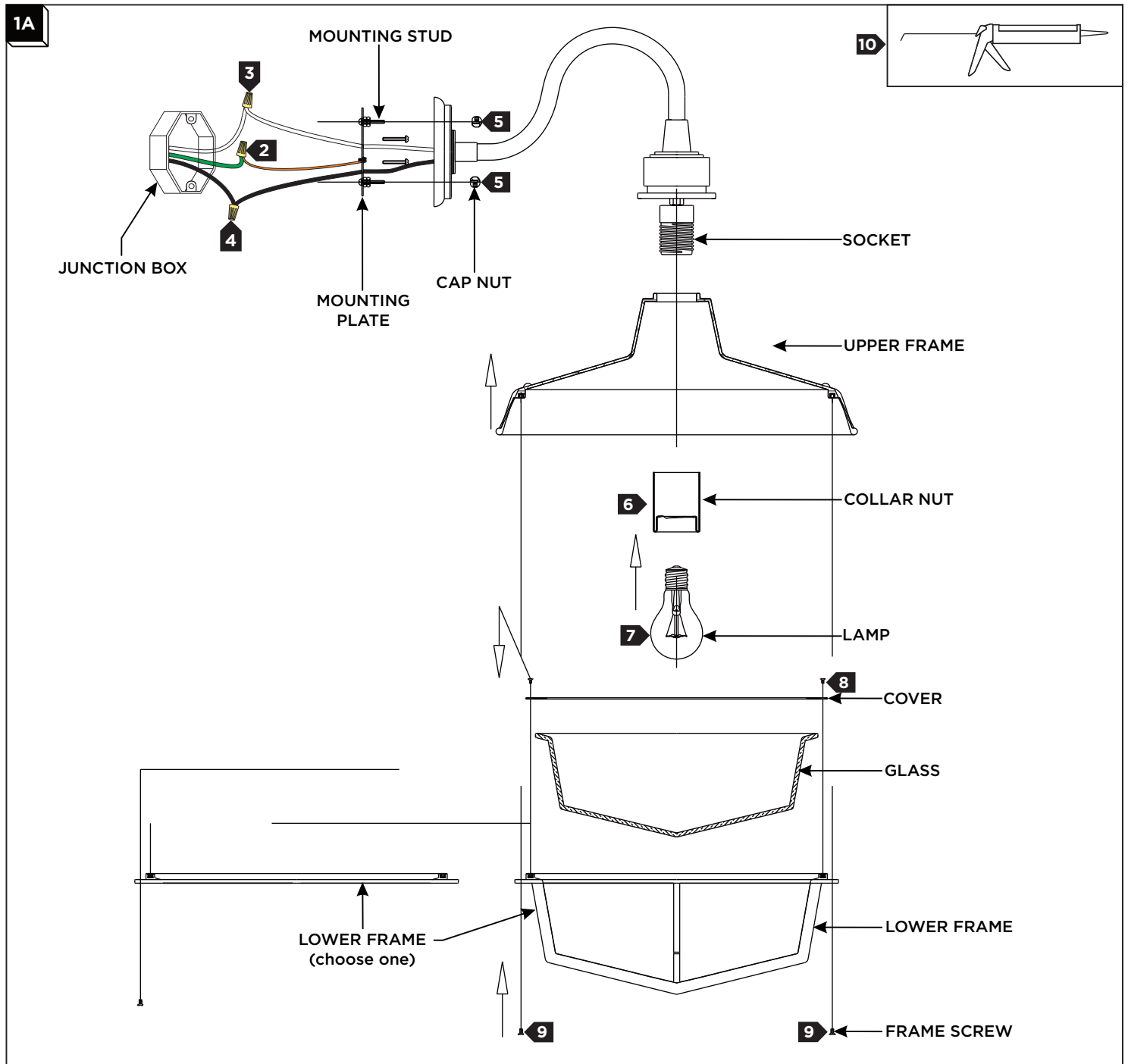
This product must be installed in accordance with the applicable installation code by a person familiar with the construction and operation of the product and the hazards involved.

Use minimum 90°C supply conductors.

SAVE THESE INSTRUCTIONS!



Install the Fixture



- 1** Secure the mounting plate to the junction box.
- 2** Connect the fixture to a suitable ground in accordance to local electrical codes.
- 3** Connect the white fixture wire (square and/or rigid) to the neutral power line wire with a wire nut.
- 4** Connect the black fixture wire (round and/or smooth) to the hot power line wire with a wire nut.
- 5** Neatly place all the wires into the junction box, place the fixture base onto the mounting studs, and secure it in place by screwing the cap nuts onto the mounting studs.
- 6** Place the upper frame onto the socket and secure it in place by screwing the collar nut onto the socket.
- 7** Screw the lamp into the socket. Refer to the label on the socket for Max Wattage Information.
- 8** Insert the glass into the lower frame (2 options included as shown), then install the cover to the lower frame using the frame screws to secure the glass in place.
- 9** Install the lower frame to the upper frame using the frame screws.
- 10** For wet location, caulk around the fixture base with waterproof construction sealant.