

# Emery Chandelier

KSC10912, KSC1106

1.0

# VISUAL COMFORT & Co.

## STUDIO COLLECTION

### GENERAL PRODUCT INFORMATION:

These fixtures are intended to be installed utilizing NEC compliant junction boxes.

This product is safety listed for damp locations.

Incandescent version may be dimmed with a standard incandescent dimmer. LED version may be dimmed with a LED dimmer. Consult lamp manufacturer for additional information.

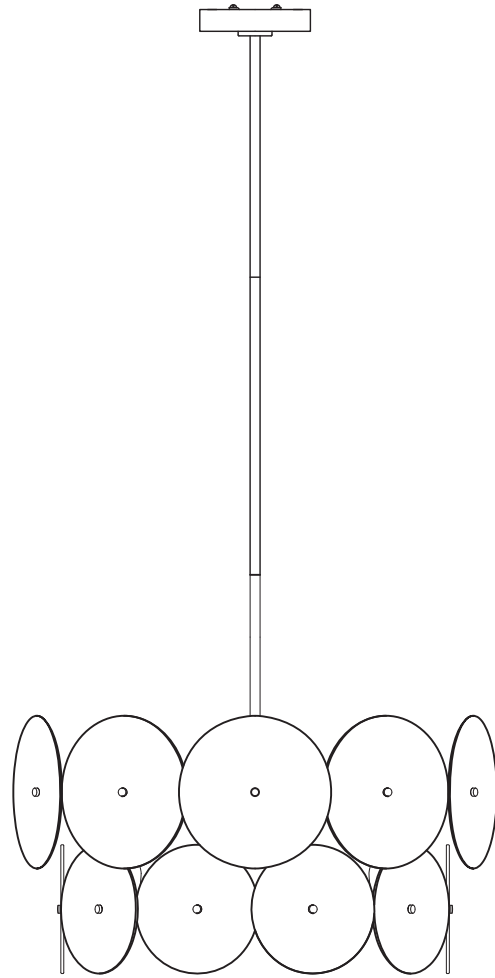
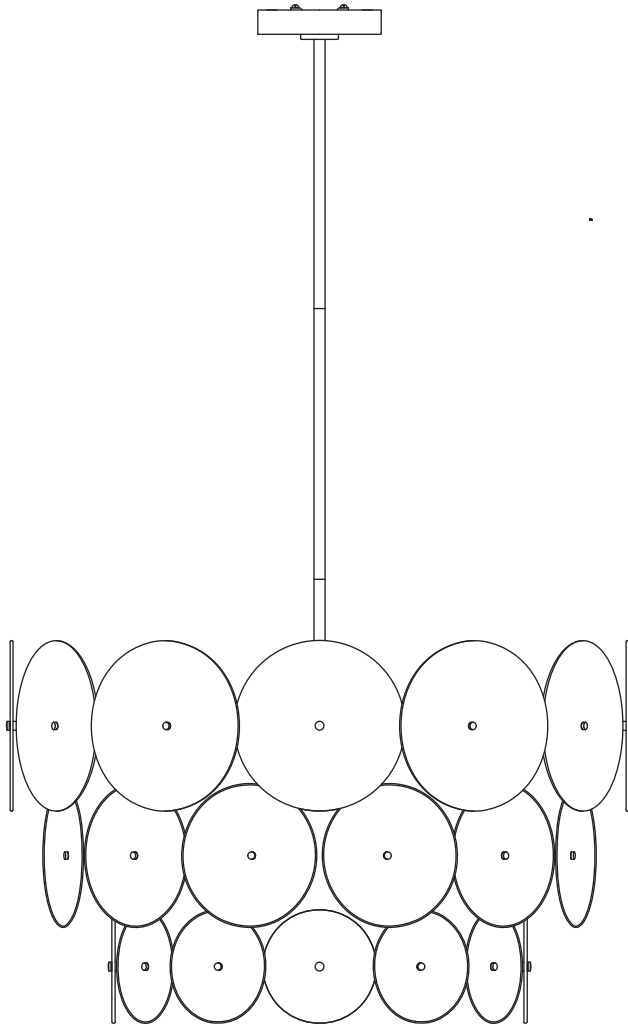
This instruction shows a typical installation.

**CAUTION - RISK OF FIRE**

This product must be installed in accordance with the applicable installation code by a person familiar with the construction and operation of the product and the hazards involved.

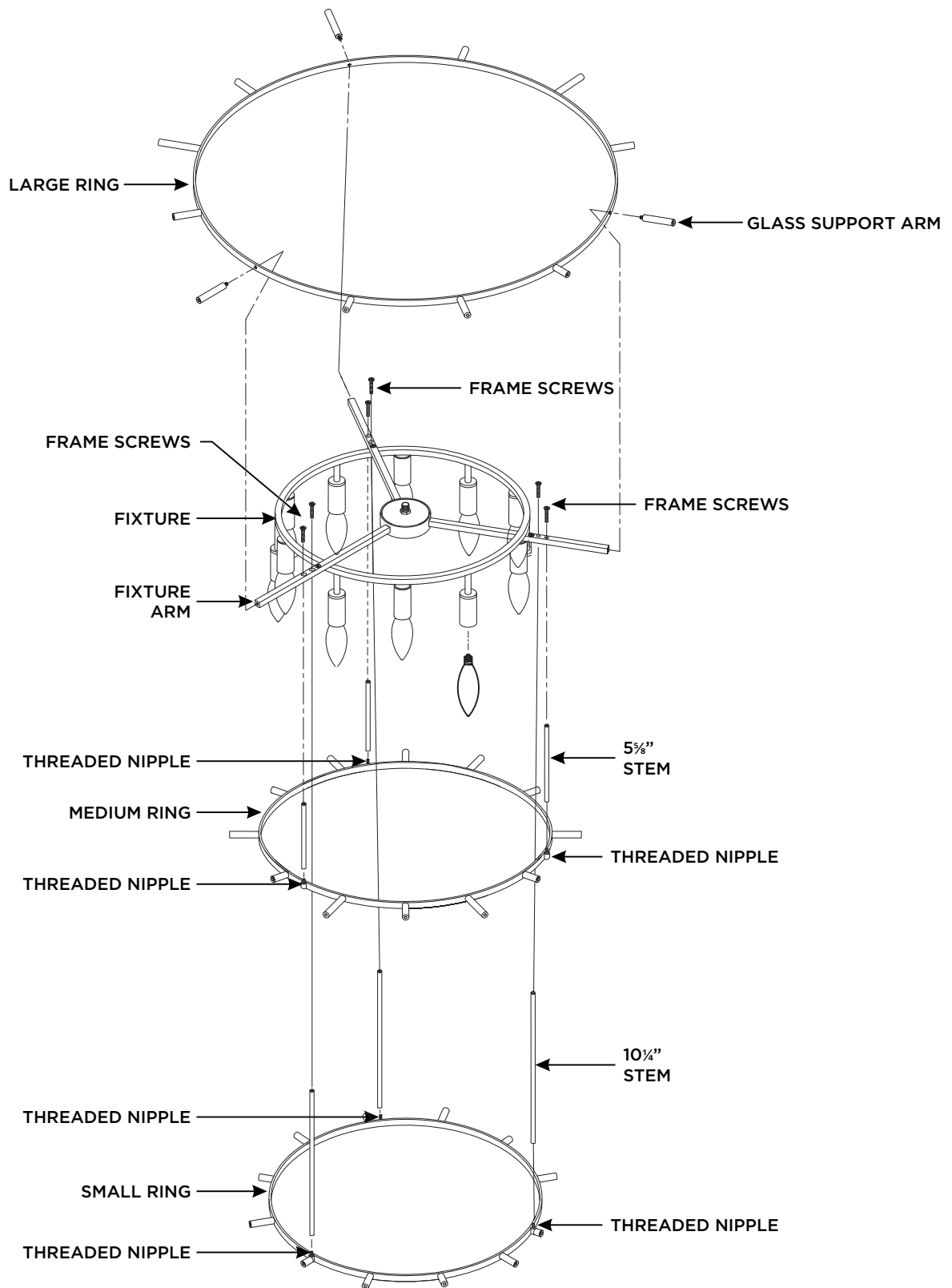
**Use minimum 90°C supply conductors.**

**SAVE THESE INSTRUCTIONS!**



# Assemble the Fixture

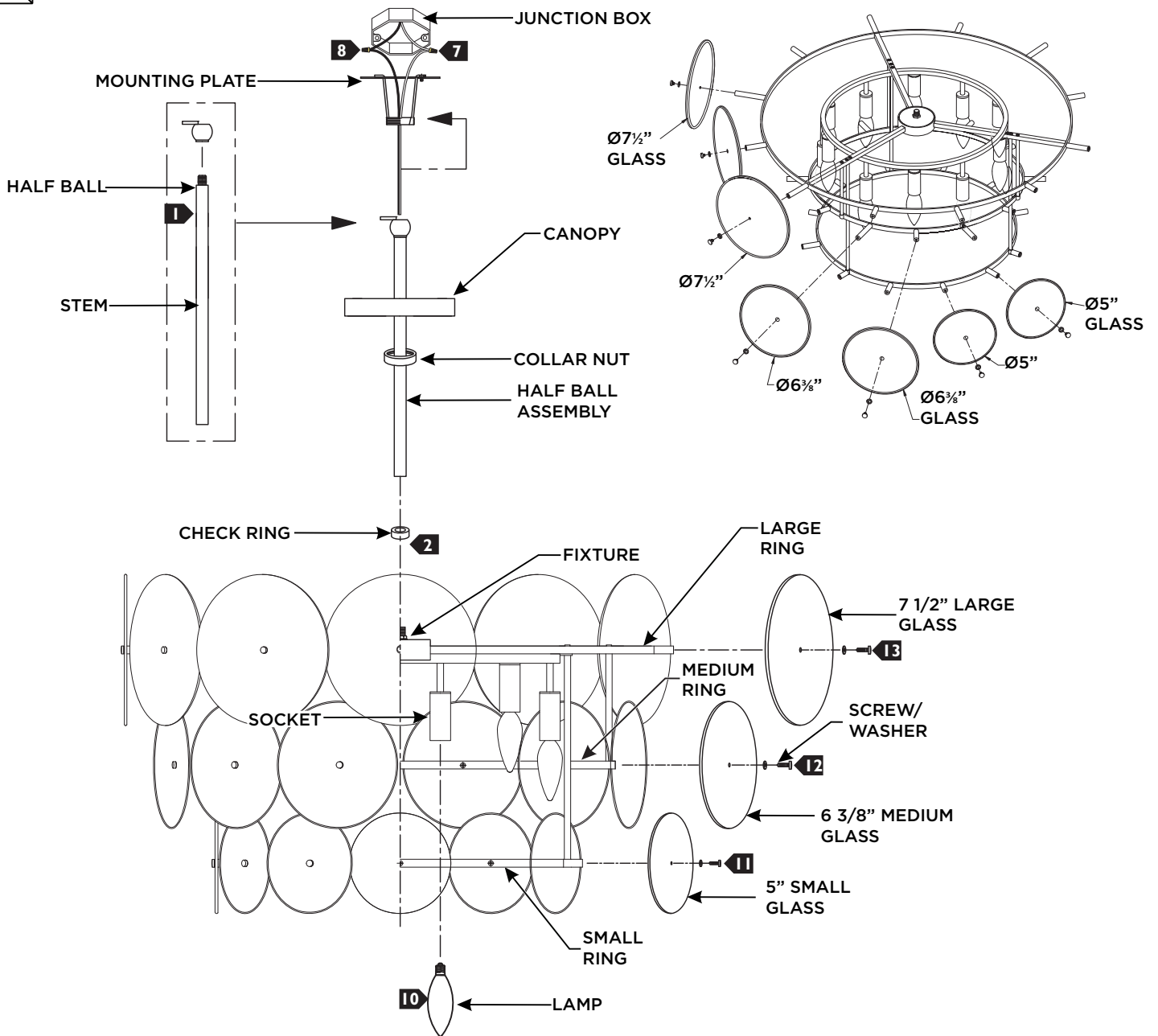
1A



- 1 Align the three (3) through holes in the large ring with the fixture arms and use the three (3) glass support arms (For KSC1106: use provided screws) to secure the large ring in place.
- 2 Install the 5/8" stems (For KSC1106: use the provided stems) to the medium ring by screwing them on to the threaded nipples at the marked locations.
- 3 Align the medium ring's stems with the fixture arms and use three (3) of the provided frame screws to secure the pieces together (For KSC10912 Only: use the outer most hole on the fixture arm).
- 4 (For KSC10912 Only): Install the 10/4" stems to the small ring by screwing them on to the threaded nipples at the marked locations.
- 5 (For KSC10912 Only): Align the small ring stems with the fixture arms and use three (3) of the provided frame screws to secure the pieces together. Use the inner most hole on the fixture arm.

# Install the Fixture

2A



- 1** Screw the half ball to the stem which will be on top.
- 2** Determine the wanted height or look of the fixture with the provided stems, then assemble them by screwing them together.
- 3** Feed the fixture wires through the check ring and stem assembly, then screw the stem assembly onto the fixture.
- 4** Feed the fixture wires through the collar nut, canopy, and the half ball assembly, then screw the half ball assembly onto the stem assembly.
- 5** Align and secure the mounting plate to the junction box, then slide the half ball assembly onto the mounting plate.
- 6** Connect the fixture to a suitable ground in accordance to local electrical codes.
- 7** Connect the white fixture wire (square and/or rigid) to the neutral power line wire with a wire nut.
- 8** Connect the black fixture wire (round and/or smooth) to the hot power line wire with a wire nut.
- 9** Neatly place all the wires into the junction box, place the canopy onto the mounting plate, and secure it in place by screwing the collar nut tightly onto the mounting plate.
- 10** Screw the lamps into the sockets. Refer to the label on the socket for Max Wattage Information.
- 11 (For KSC10912 Only):** On the small ring of the fixture, align the hole in the smallest size glass disk with the glass support arms and secure it with a washer and screw.
- 12** On the medium ring of the fixture, align the hole in the medium size glass disk with the glass support arms and secure it with a washer and screw.
- 13** On the large ring of the fixture, align the hole in the large size glass disk with the glass support arms and secure it with a washer and screw.

