

# Ellison 2 Light Desk Lamp

**KST1132 | 1.0**

GENERATION LIGHTING  
PORTABLE

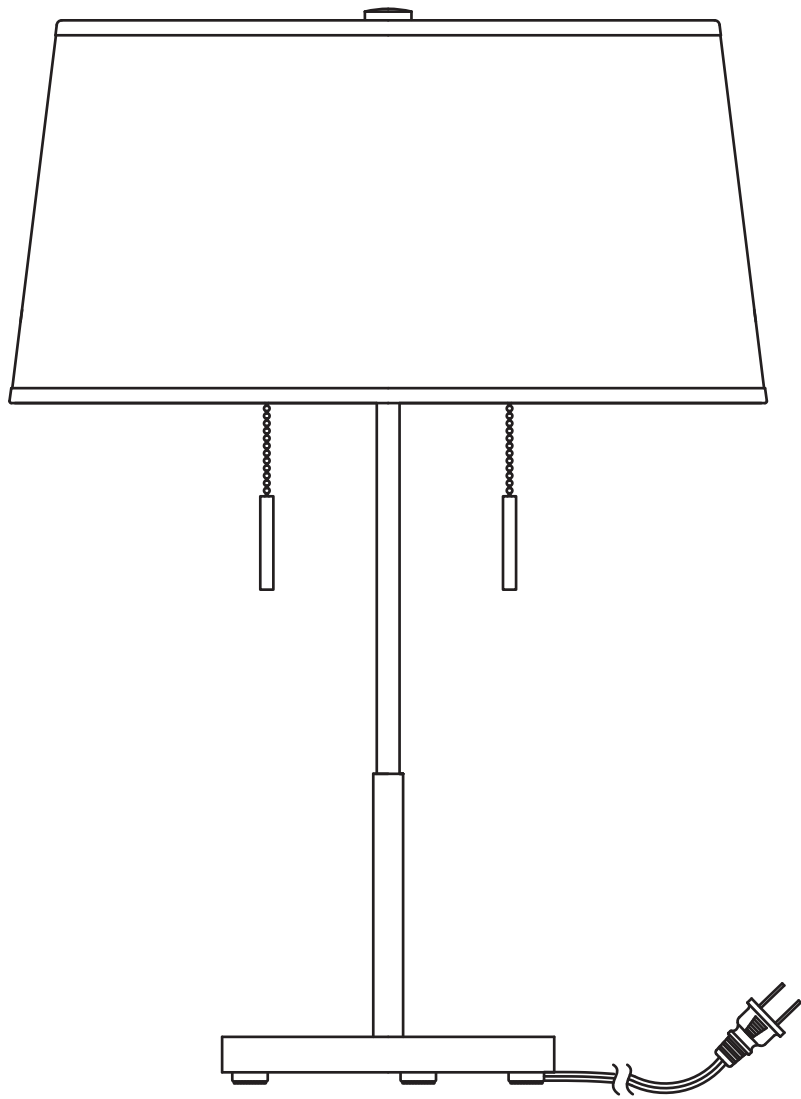
## GENERAL PRODUCT INFORMATION:

This product is safety listed for dry locations only.

This instruction shows a typical installation.

**IMPORTANT SAFETY INSTRUCTIONS**  
This portable lamp has a polarized plug (one blade is wider than the other) as a safety feature to reduce the risk of electric shock. This plug will fit in a polarized outlet only one way. If the plug does not fit fully in the outlet, reverse the plug. If it still does not fit contact a qualified electrician. Never use with an extension cord unless plug can be fully inserted. Do not attempt to defeat this safety feature.

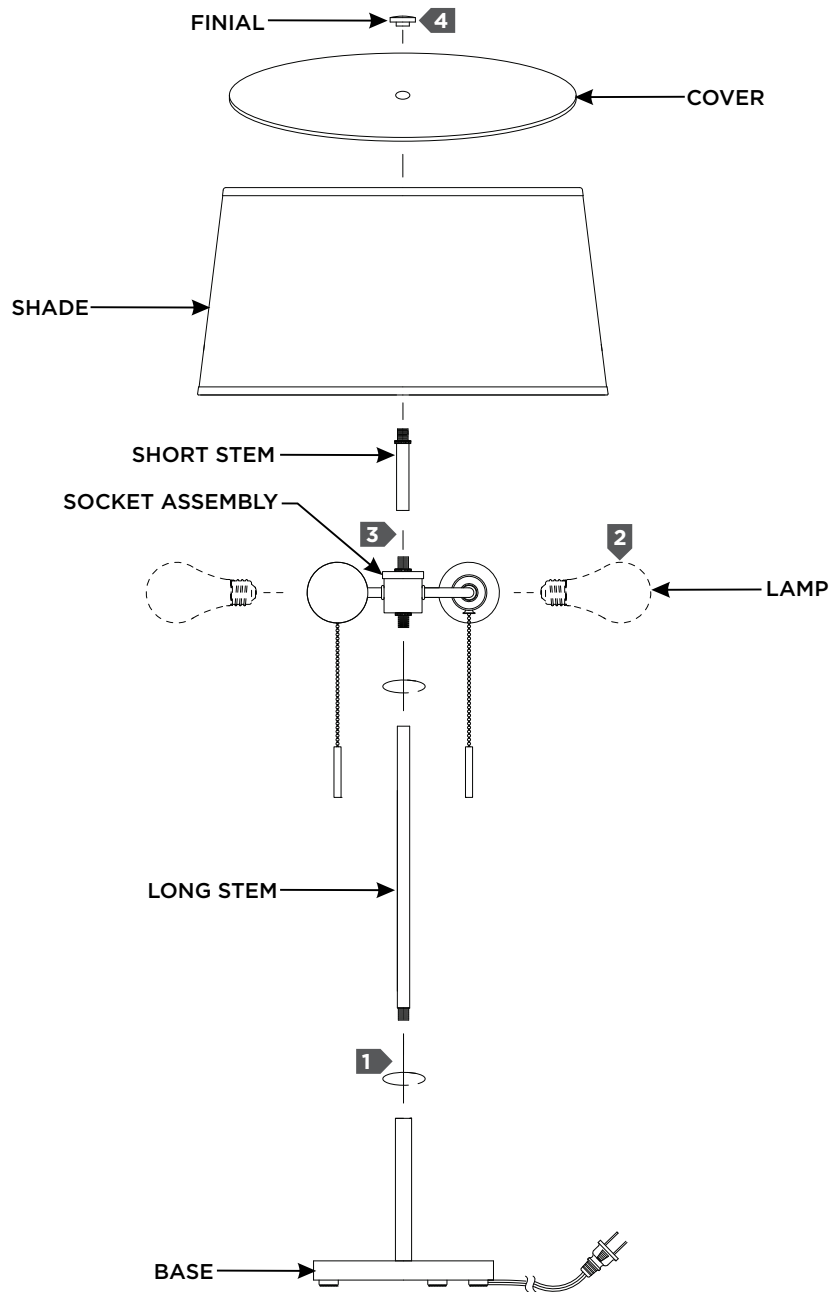
**SAVE THESE INSTRUCTIONS!**



GENERATION LIGHTING  
7400 Linder Ave., Skokie, IL 60077  
T 847.410.4400 | F 847.410.4500  
www.generationlighting.com

# Assemble the Lamp

1A



- 1** Screw the long stem onto the base, then screw the socket assembly onto the long stem.
- 2** Screw the lamps into the sockets. Refer to the label on the lamp socket for Max Wattage Information.
- 3** Screw the short stem onto the top of the socket assembly.
- 4** Place the shade and cover onto the short stem, then secure them in place by screwing the finial onto the short stem.