

# Dresden I-Light Medium Outdoor Lantern

TFO1001 | 1.0

GENERATION LIGHTING  
WALL

## GENERAL PRODUCT INFORMATION:

These fixtures are intended to be installed utilizing NEC compliant junction boxes.

This product is listed for wet locations.

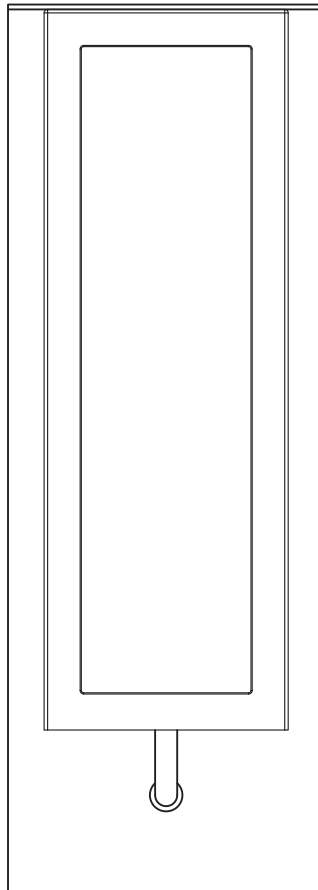
This instruction shows a typical installation.

### CAUTION - RISK OF FIRE

This product must be installed in accordance with the applicable installation code by a person familiar with the construction and operation of the product and the hazards involved.

Use minimum 90°C supply conductors.

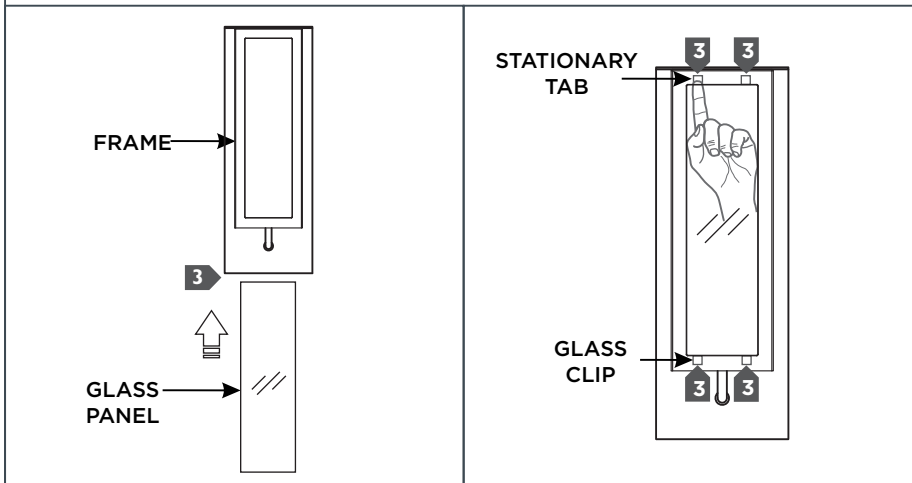
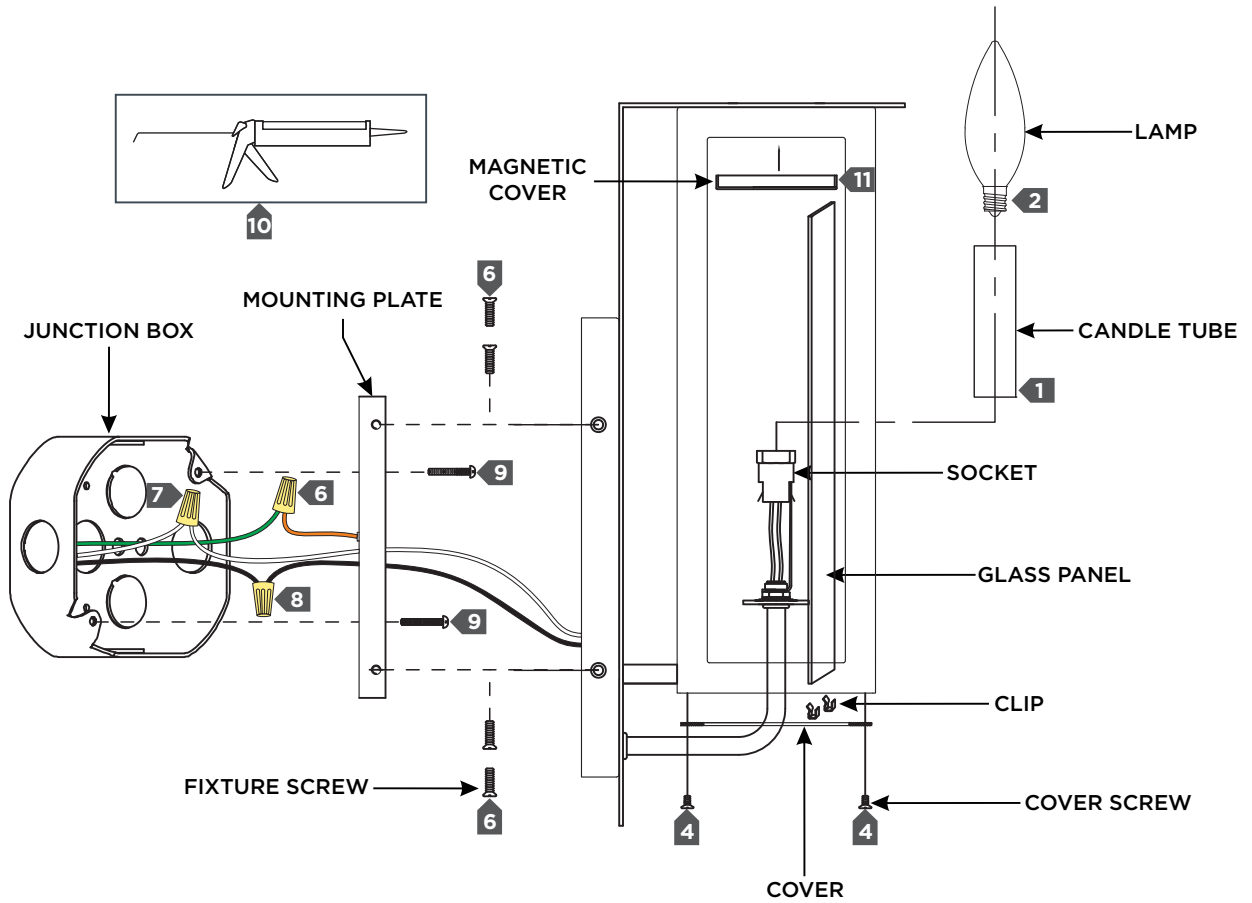
**SAVE THESE INSTRUCTIONS!**



GENERATION LIGHTING  
7400 Linder Ave., Skokie, IL 60077  
T 847.410.4400 | F 847.410.4500  
www.generationlighting.com

# Install the Fixture

IA



- 1** Install the candle tubes by sliding one over the socket.
- 2** Screw the lamp into the socket. Refer to the label on the socket for Max Wattage Information.
- 3** Install the glass one panel at a time into the frame by first inserting it into the top stationary tab, position the panel in place, then secure them temporarily in place using the glass clips.
- 4** Install the cover on the bottom of the frame and secure it place with the cover screws.
- 5** Secure the mounting plate to the junction box.
- 6** Connect the fixture to a suitable ground in accordance to local electrical codes.
- 7** Connect the white fixture wire (square and/or rigid) to the neutral power line wire with a wire nut.
- 8** Connect the black fixture wire (round and/or smooth) to the hot power line wire with a wire nut.
- 9** Neatly place all the wires into the junction box, place the fixture base onto the mounting plate, and secure it in place with fixture screws.
- 10** Place the magnetic cover into the top of the fixture interior. Ensure it the cover is secure.
- 11** For wet locations, caulk around the base of the fixture with waterproof construction sealant.