

Bronte Medium & Large Pendant

KSP1083, KSP1094 | 1.0

VISUAL COMFORT & Co.

STUDIO COLLECTION

GENERAL PRODUCT INFORMATION:

These fixtures are intended to be installed utilizing NEC compliant junction boxes.

This product is safety listed for damp locations.

Incandescent version may be dimmed with a standard incandescent dimmer. LED version may be dimmed with a LED dimmer. Consult lamp manufacturer for additional information.

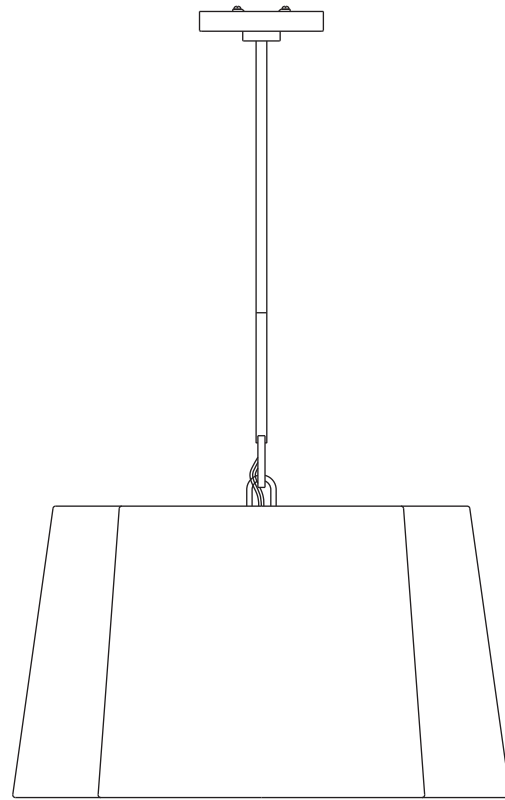
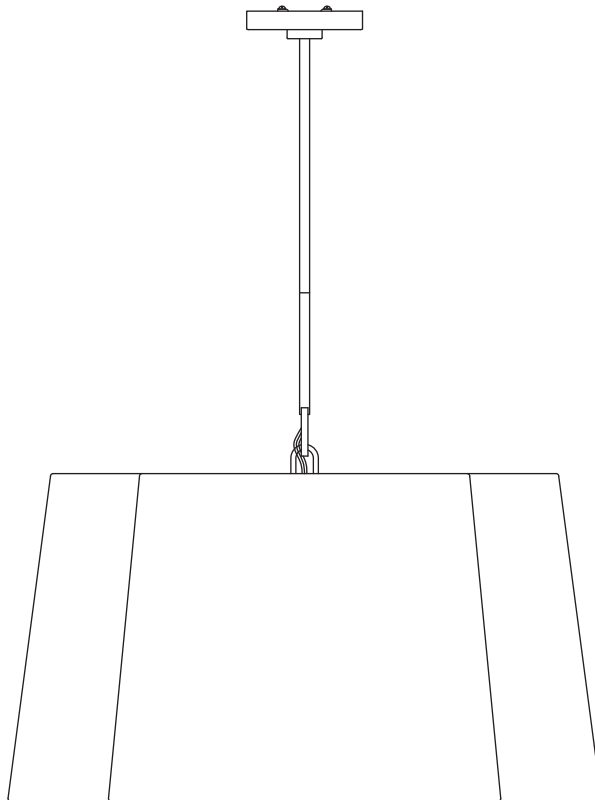
This instruction shows a typical installation.

CAUTION - RISK OF FIRE

This product must be installed in accordance with the applicable installation code by a person familiar with the construction and operation of the product and the hazards involved.

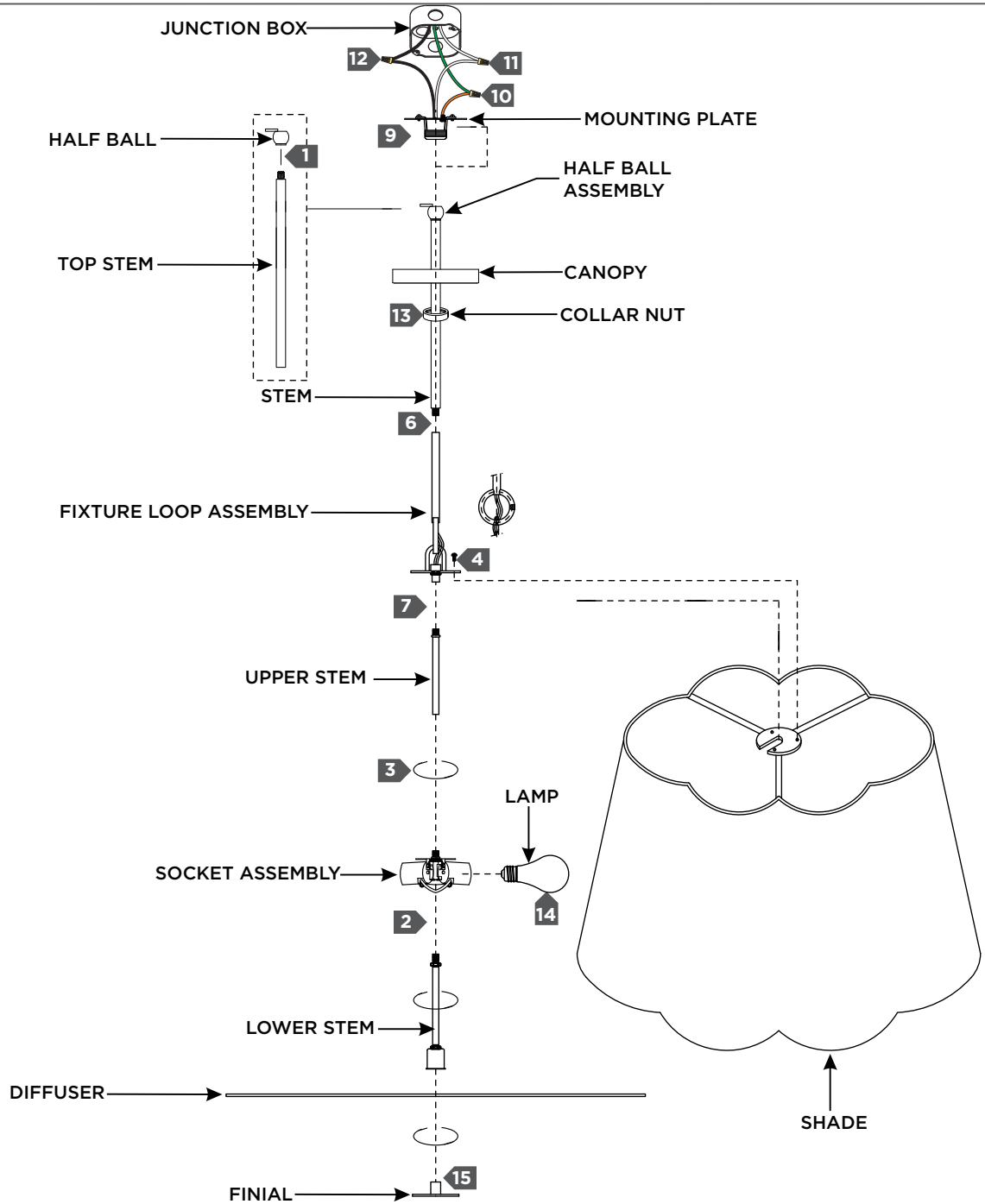
Use minimum 90°C supply conductors.

SAVE THESE INSTRUCTIONS!



Install the Fixture

1A



- 1 Screw the half ball to the top stem.
- 2 Screw the lower stem onto the socket assembly.
- 3 Feed the fixture wires through the upper stem and screw it onto the socket assembly.
- 4 Place the shade onto the bottom of the fixture loop, align the holes, and secure it in place with the shade screws.
- 5 Determine the wanted height or look of the fixture with the stems, assemble them by screwing them together.
- 6 Feed the fixture wires through the stem assembly, then screw the stem assembly onto the fixture loop assembly.
- 7 Feed the fixture wires through the fixture loop assembly/stem assembly and screw it onto the upper stem.
- 8 Feed the fixture wires through the collar nut, canopy, and the half ball assembly, then screw the half ball assembly onto the stem assembly.
- 9 Align and secure the mounting plate to the junction box, then slide the half ball assembly onto the mounting plate.
- 10 Connect the fixture to a suitable ground in accordance with local electrical codes.
- 11 Connect the white fixture wire (square and/or rigid) to the neutral power line wire with a wire nut.
- 12 Connect the black fixture wire (round and/or smooth) to the hot power line wire with a wire nut.
- 13 Neatly place all the wires into the junction box, place the canopy onto the mounting plate, and secure it in place by screwing the collar nut tightly onto the mounting plate.
- 14 Screw the lamps into the sockets. Refer to the label on the lamp socket for Max Wattage Information.
- 15 Install the diffuser to the bottom of the socket assembly and secure it in place using the finial.