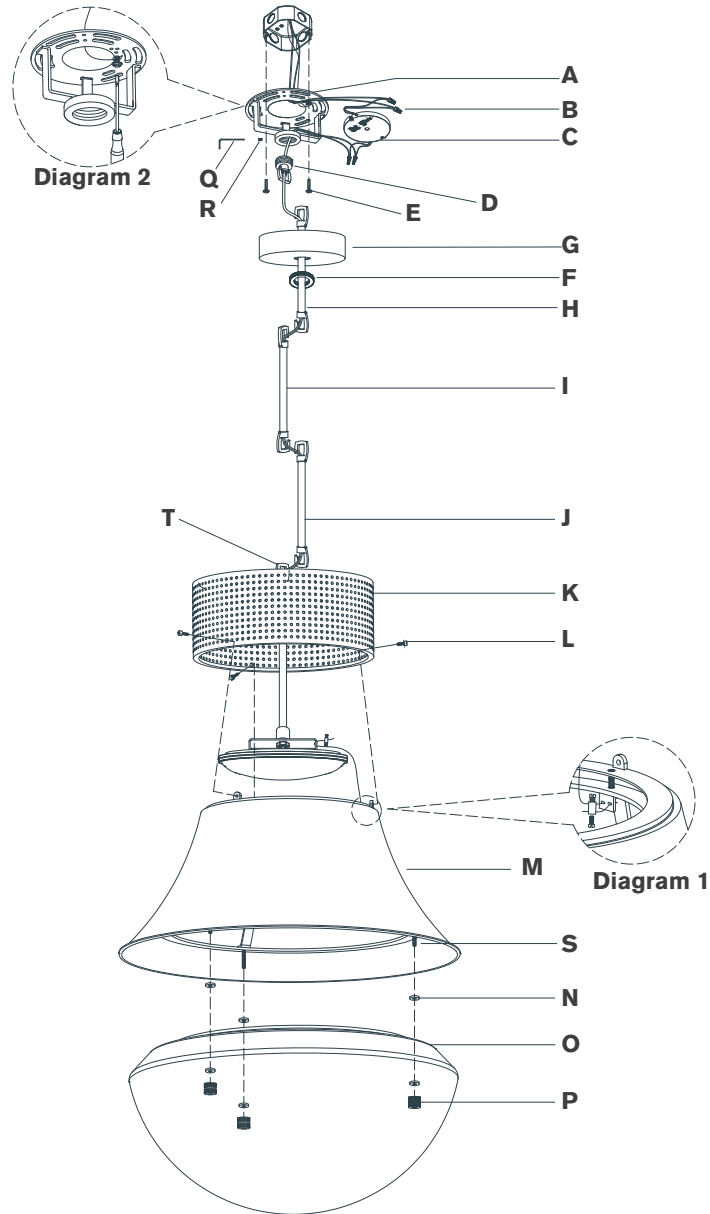


ASSEMBLY INSTRUCTIONS



Precision 24" Pendant

Item # KW5226

NOTICE:

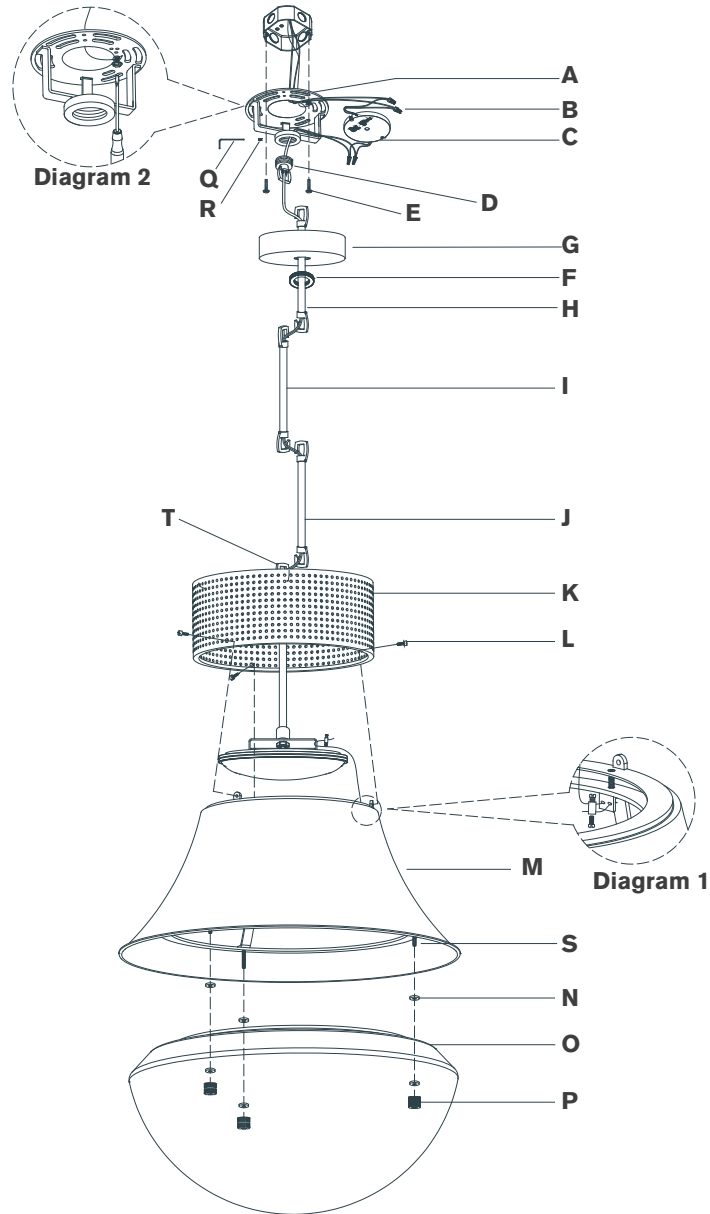
This light fixture should be installed in accordance with all applicable, local installation codes, and by a person familiar with the construction and operation of it, as well as the hazards involved. Inspect item and contents carefully. If any damage or defect is found, do not install. Retain all packaging material until installation is complete and approved.

TOOLS REQUIRED (NOT INCLUDED):

Phillips Screwdriver	Slotted Screwdriver	Wire Cutters
Slip Joint Pliers	Wire Strippers	

1. Carefully remove all parts from the box. Place on a clean, soft surface.
2. Remove collar ring (F) from collar loop (D).
3. Install mounting plate (A) to junction box and secure with mounting screws (B).
4. Thread collar loop (D) to mounting plate (A) and secure with set screw (R) using provided wrench (Q).
5. Install canopy (G) to collar loop (D) and secure with collar ring (F).
6. Attach rubber washers (N) to either side of the glass shade (O) and secure to threaded rods (S) with threaded caps (P).
NOTE: Do not over-tighten otherwise shade could become damaged.
7. Run support cable through hole on shade bracket. Loosen cable lock and install to end of support cable. Insert other end of cable through the cable lock and tighten ends with a screwdriver to secure. (see diagram 1)
8. Install metal shade (M) to fixture body (K) and secure with screws (L).
9. Feed fixture wire and ground wire through rods (J & I & H).
10. Attach rods (J & I & H) together, then attach to fixture loop (T) and collar loop (D).
NOTE: Ensure there is no tension on the wires. Cut excess wires, being sure to leave enough to reach the junction box.
11. Separate two sides of molded wire, and strip insulation on each 5/8".
12. Loosen collar ring (F) and let canopy (G) slip down rods carefully.

ASSEMBLY INSTRUCTIONS



Precision 24" Pendant

Item # KW5226

NOTICE:

This light fixture should be installed in accordance with all applicable, local installation codes, and by a person familiar with the construction and operation of it, as well as the hazards involved. Inspect item and contents carefully. If any damage or defect is found, do not install. Retain all packaging material until installation is complete and approved.

13. Twist all fixture wires together. Slip through center hole of collar loop (**D**).
NOTE: Untwist wires and separate to prepare for connection.
14. Connect supply ground wire (usually green or bare copper) around the green grounding screw (see diagram 2). Tighten.
NOTE: It is imperative that the fixture is grounded.
15. Connect driver (**C**) input neutral wire (white) to the supply neutral wire (usually white) using wire nut (**B**).
16. Connect driver (**C**) input hot wire (black) to the supply hot wire (usually black) using wire nut (**B**).
17. Connect driver (**C**) output neutral wire (black) to the fixture neutral wire (marked "-") using wire nut (**B**).
18. Connect driver (**C**) output hot wire (red) to the fixture hot wire (marked "+") using wire nut (**B**).
CAUTION: Do not reverse the hot and neutral connections.
19. Make sure all wire connections are tight, then carefully tuck into the junction box.
20. Insert driver (**C**) into the center of mounting plate (**A**).
21. Install canopy (**G**) to collar loop (**D**) and secure with collar ring (**F**).

Care Instructions: Clean only with a soft dry cloth or feather duster. Do not use abrasive or chemical agents.