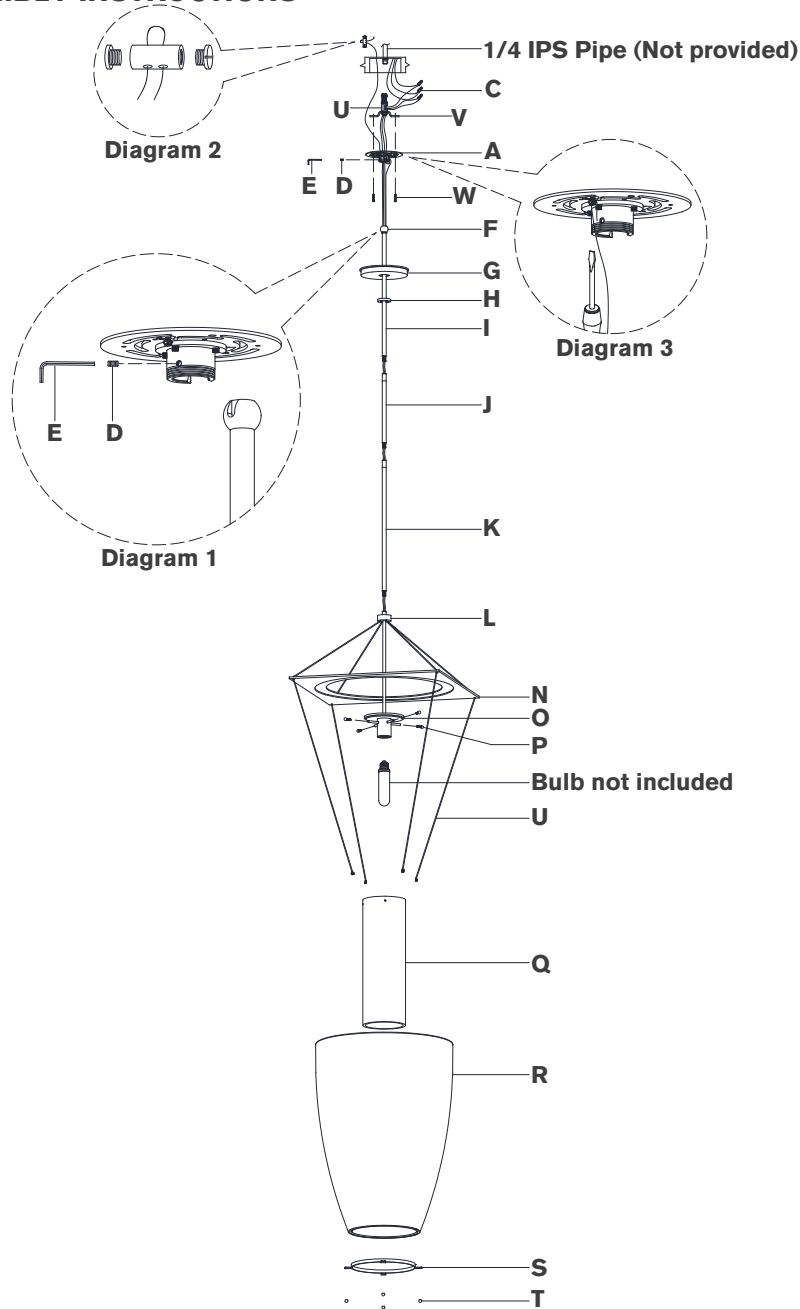




## ASSEMBLY INSTRUCTIONS



## Ovalle 20" Lantern

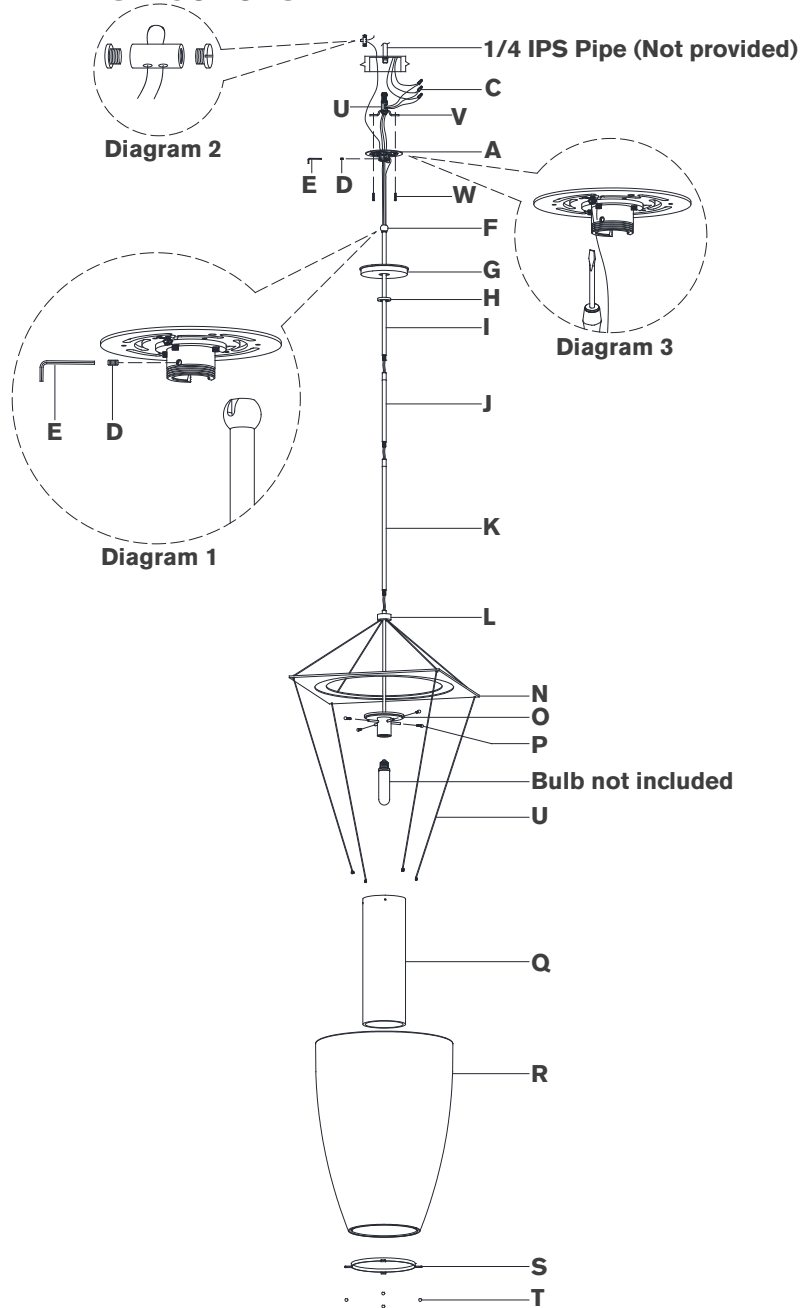
Item # RB 5091

### NOTICE:

This light fixture should be installed in accordance with all applicable, local installation codes, and by a person familiar with the construction and operation of it, as well as the hazards involved. Inspect item and contents carefully. If any damage or defect is found, do not install. Retain all packaging material until installation is complete and approved.

11. Cut excess wires, being sure to leave enough to reach the junction box. Separate wires, and strip insulation on each 5/8".
  12. Loosen cable lock and install to end of safety cable. Run safety cable through junction box and around structural member of building. Insert cable through cable lock and tighten the ends with a screwdriver to secure. (See diagram 2)
  13. Wrap fixture ground wire (bare copper) around the green grounding screw (see diagram 3). Tighten. Continue fixture ground wire and connect to supply ground wire (usually green or bare copper) using wire nut (A).
- NOTE:** It is imperative that the fixture is grounded.
14. Connect fixture neutral wire (white) to the supply neutral wire (usually white) using wire nut (A).
  15. Connect fixture hot wire (black) to the supply hot wire (usually black) using wire nut (A).
- CAUTION:** Do not reverse the hot and neutral connections.
16. Make sure all wire connections are tight, then carefully tuck into the junction box.
  17. Install canopy (G) to mounting plate (A) and secure with collar ring (H).
  18. Install light bulb into the socket.
  19. Install glass shade (Q) to metal cup (O) and secure with screws (P).
- NOTE:** Do not over-tighten otherwise shade could become damaged.

## ASSEMBLY INSTRUCTIONS



## Ovalle 20" Lantern

Item # RB 5091

### NOTICE:

This light fixture should be installed in accordance with all applicable, local installation codes, and by a person familiar with the construction and operation of it, as well as the hazards involved. Inspect item and contents carefully. If any damage or defect is found, do not install. Retain all packaging material until installation is complete and approved.

- Place shade (R) onto metal plate (S), then place metal plate (N) onto top of shade (R).

**NOTE:** It is recommended to have a helper assist in supporting the fixture for step 21.

- Feed hanging cables through metal plate (N) and metal plate (S) and secure with threaded caps (T).

**Care Instructions:** Clean only with a soft dry cloth or feather duster. Do not use abrasive or chemical agents.

VISUAL COMFORT

