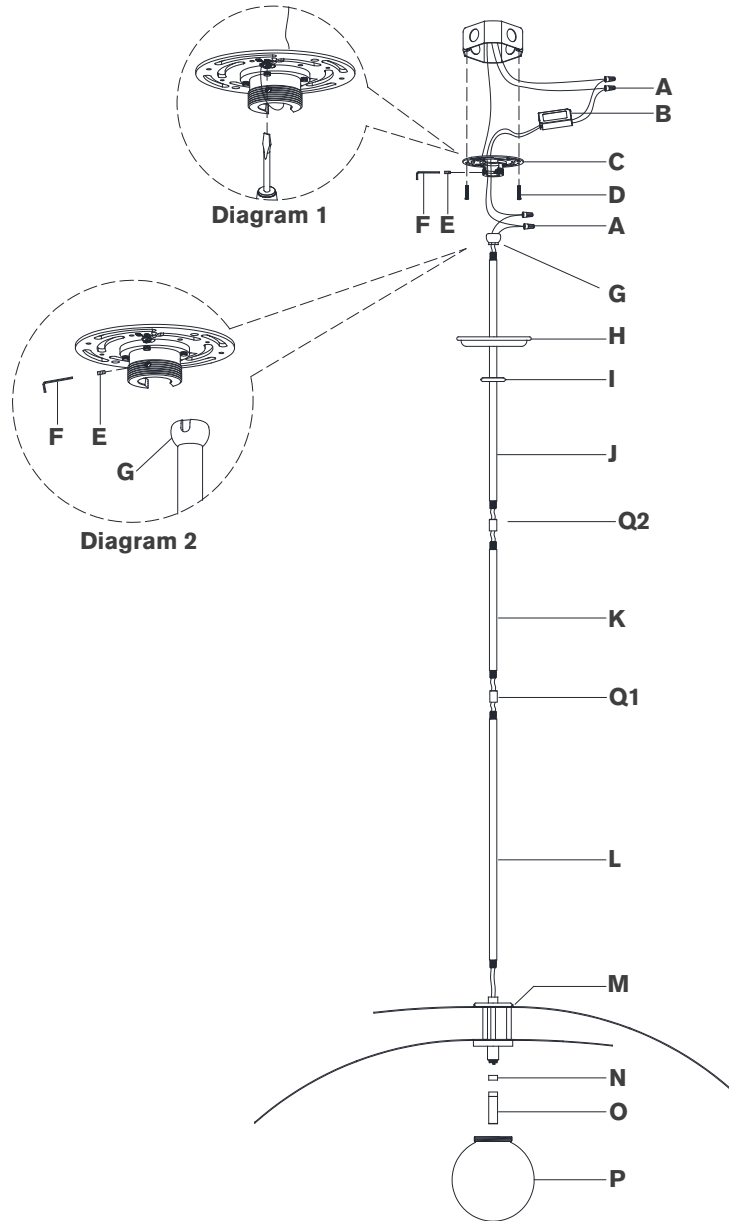




## ASSEMBLY INSTRUCTIONS



## Mahalo 32" Tiered Pendant

Item # WS 5050

### NOTICE:

This light fixture should be installed in accordance with all applicable, local installation codes, and by a person familiar with the construction and operation of it, as well as the hazards involved. Inspect item and contents carefully. If any damage or defect is found, do not install. Retain all packaging material until installation is complete and approved.

11. Holding fixture upright, slide collar ring (I), canopy (H) down rods and rest on top of fixture. Then connect rod (J) to coupling (Q2), securing with swivel ball (G).

**NOTE:** Slide components down slowly to avoid damages.

12. Hang fixture swivel ball (G) to center of mounting plate (C) and secure with set screw (E) using provided wrench (F). See diagram 2.
13. Cut excess wires, being sure to leave enough to reach the junction box. Separate wires, and strip insulation on each 5/8".
14. Connect fixture neutral wire (black) to driver (B) output wire (black) using wire nut (A).
15. Connect fixture hot wire (red) to driver (B) output wire (red) using wire nut (A).

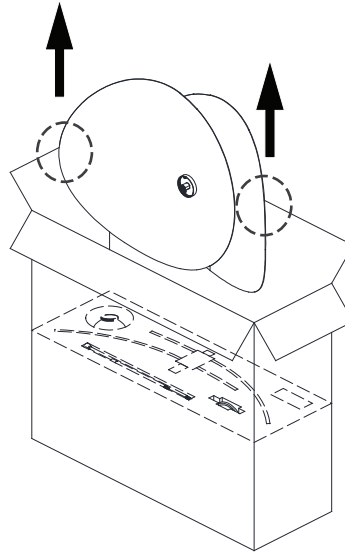
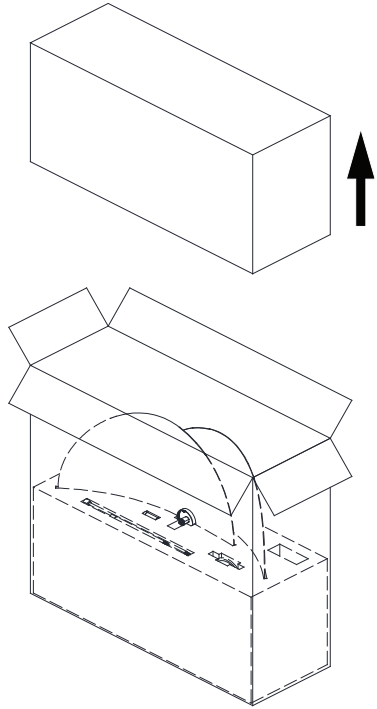
**CAUTION:** Do not reverse the hot and neutral connections.

16. Install canopy (H) to mounting plate (B) and secure with collar ring (I).
17. Remove protective cap (N) from fixture (M) and discard, then thread LED light source (O) to fixture (M).
18. Thread glass shade (P) to fixture (M).

**NOTE:** Do not over-tighten otherwise glass could become damaged.

**Care Instructions:** Clean only with a soft dry cloth or feather duster. Do not use abrasive or chemical agents.

## UNPACKING NOTICE



## Mahalo 32" Tiered Pendant

Item # WS 5050

### **NOTICE:**

Please follow instructions below to avoid possible damages caused by improper removal.

1. Open box and remove top layer of packaging.
2. Lift item shade in areas indicated by arrows (see diagram) and pull straight up until clear of packaging, then place on a clean, soft surface.  
**NOTE:** Remove slowly to avoid damages.
3. Remove glass shade, rods and canopy.