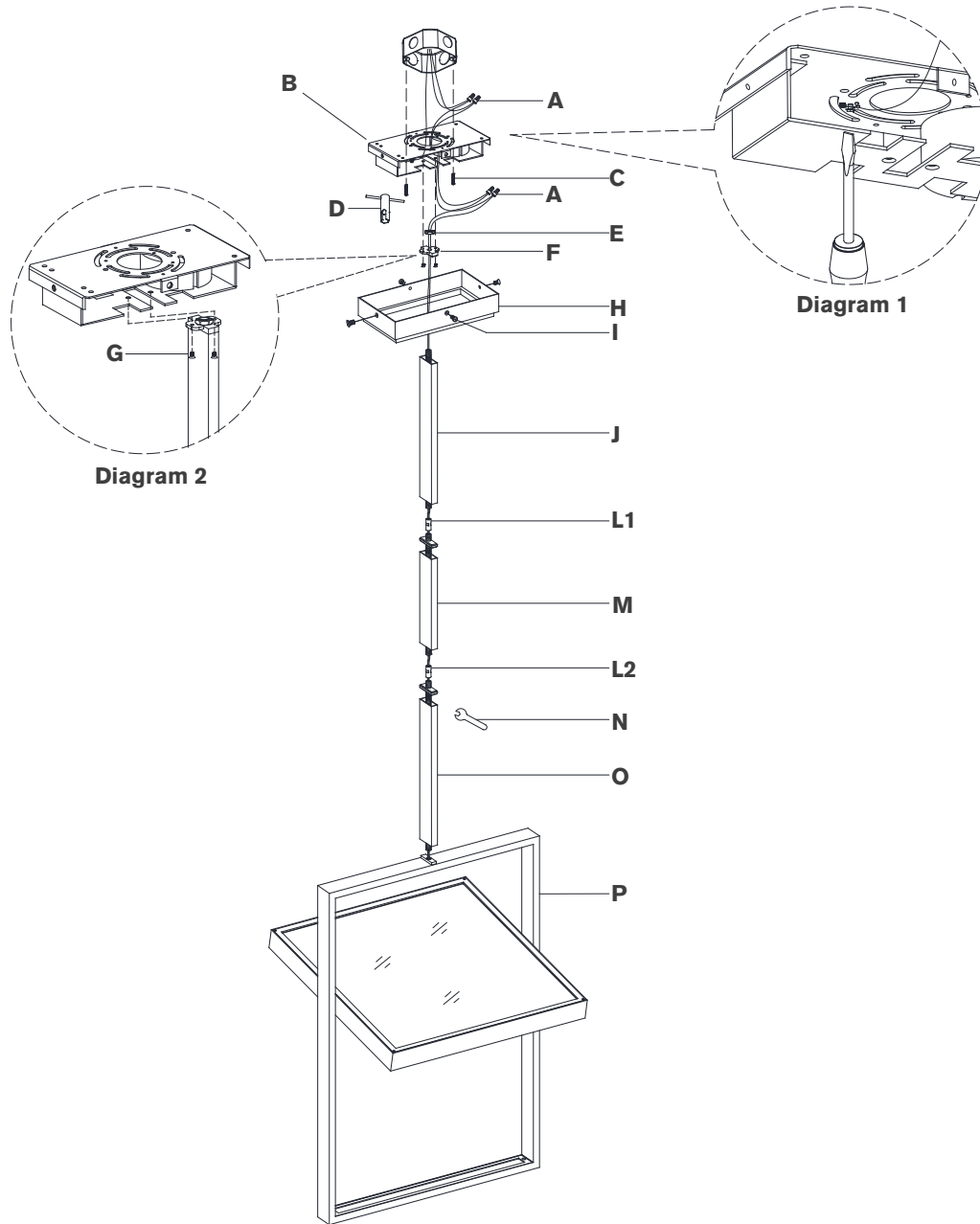


## ASSEMBLY INSTRUCTIONS



## Entoure 17" Rotating Pendant

Item # LR 5850

### NOTICE:

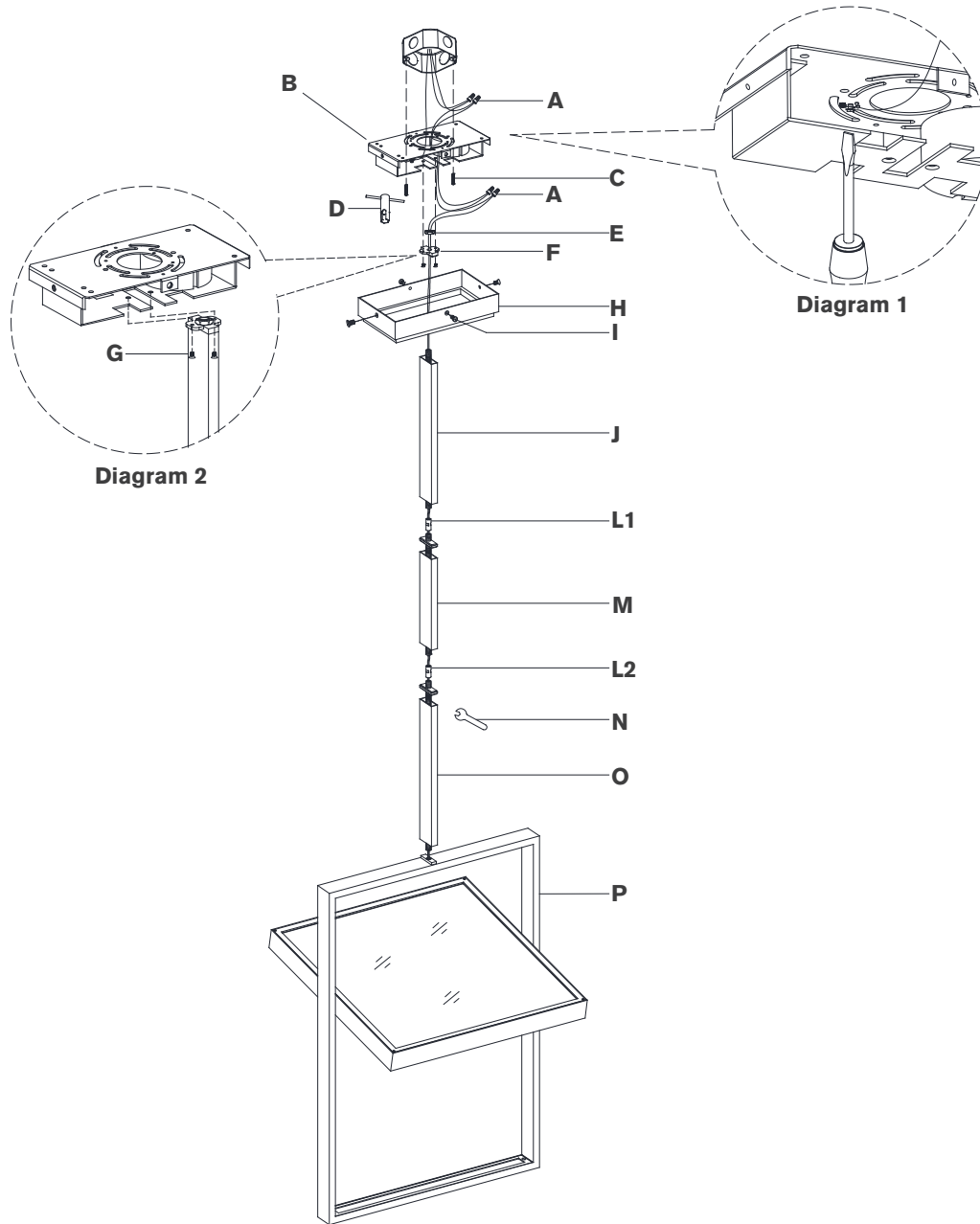
This light fixture should be installed in accordance with all applicable, local installation codes, and by a person familiar with the construction and operation of it, as well as the hazards involved. Inspect item and contents carefully. If any damage or defect is found, do not install. Retain all packaging material until installation is complete and approved.

### TOOLS REQUIRED (NOT INCLUDED):

|                      |                     |              |
|----------------------|---------------------|--------------|
| Phillips Screwdriver | Slotted Screwdriver | Wire Cutters |
| Wire Strippers       | Slip-joint pliers   |              |

- Carefully remove all parts from the box. Place on a clean, soft surface.
  - Remove mounting plate **(B)** from canopy **(H)** by removing screws **(I)**.
  - Connect driver input neutral wire (white) to the supply neutral wire (usually white) using wire nut **(A)**.
  - Connect driver input hot wire (black) to the supply hot wire (usually black) using wire nut **(A)**.
- CAUTION:** Do not reverse the hot and neutral connections.
- Make sure all wire connections are tight, then carefully tuck into the junction box.
  - Install mounting plate **(B)** to the junction box and secure with mounting screws **(C)**.
  - Wrap supply ground wire (usually green or bare copper) around the green grounding screw (see diagram 1). Tighten.
- NOTE:** It is imperative that the fixture is grounded.
- Feed fixture wires through rod **(O)**, then connect to fixture **(P)** and secure with coupling **(L2)** using provided wrench **(N)**. Repeat for rod **(M)** and connecting to coupling **(L2)** and secure with coupling **(L1)**.
  - Continue feeding fixture wires through rod **(J)** and canopy **(H)**.
  - Holding fixture upright, slide canopy **(H)** down rods and rest on top of fixture. Then connect rod **(J)** to coupling **(L1)**, securing with fan mount **(F)** and lock nut **(E)** using provided wrench **(D)**.
- NOTE:** Slide components down slowly to avoid damages.

## ASSEMBLY INSTRUCTIONS



## Entoure 17" Rotating Pendant

Item # LR 5850

### NOTICE:

This light fixture should be installed in accordance with all applicable, local installation codes, and by a person familiar with the construction and operation of it, as well as the hazards involved. Inspect item and contents carefully. If any damage or defect is found, do not install. Retain all packaging material until installation is complete and approved.

11. Hang fixture to center of mounting plate **(B)** and secure with screws **(G)**. See diagram 2.
12. Cut excess wires, being sure to leave enough to reach the junction box. Separate wires, and strip insulation on each 5/8".
13. Connect fixture neutral wire (black) to driver output wire (black) using wire nut **(A)**.
14. Connect fixture hot wire (red) to driver output wire (red) using wire nut **(A)**.
- CAUTION:** Do not reverse the hot and neutral connections.
15. Install canopy **(H)** to mounting plate **(B)** and secure with screws **(I)**.

**Care Instructions:** Clean only with a soft dry cloth or feather duster. Do not use abrasive or chemical agents.