

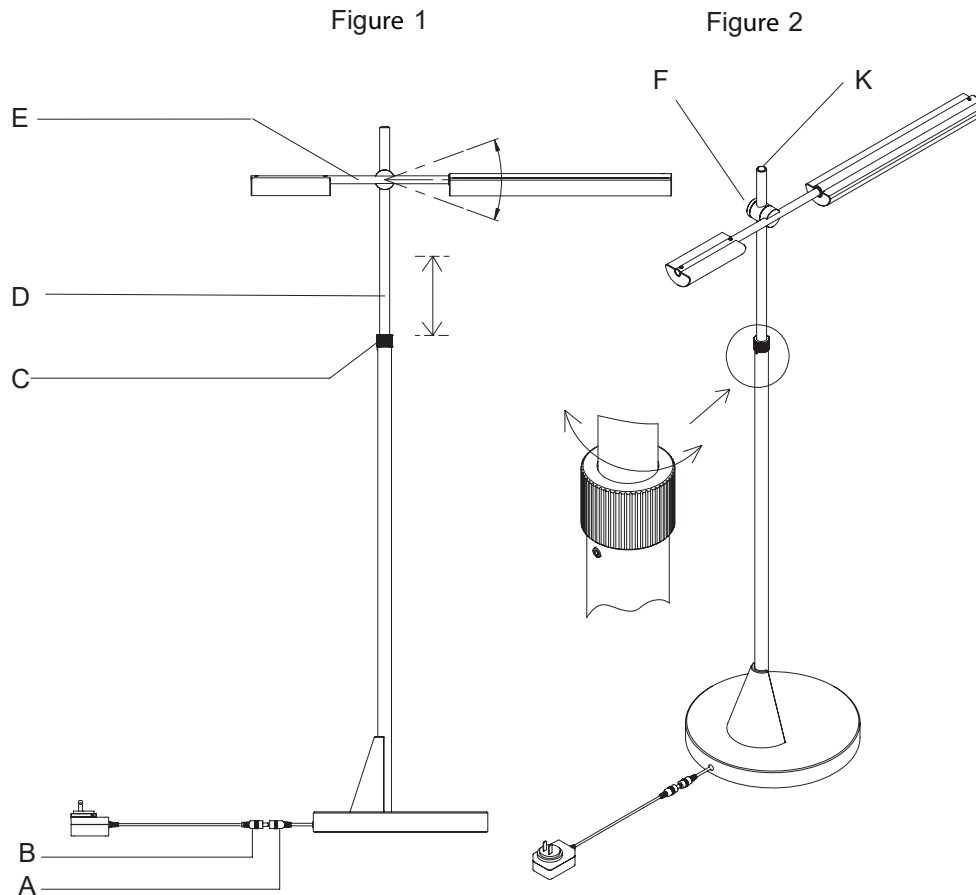
ASSEMBLY INSTRUCTIONS

Daley Adjustable Floor Lamp

Item # RL 1320

NOTICE:

This light fixture should be installed in accordance with all applicable, local installation codes, and by a person familiar with the construction and operation of it, as well as the hazards involved. Inspect item and contents carefully. If any damage or defect is found, do not install. Retain all packaging material until installation is complete and approved.



1. Carefully remove all parts from the box. Place on a clean, soft surface.
2. Connect driver (B) to line (A) and plug into a proper electrical outlet.
3. Single press the switch (K) to turn on and off, press and hold to brighten or dim.
4. The horizontal stem (E) can be rotated by 20° as shown in Figure 1.
5. The height of the vertical stem (D) can be adjusted by loosening the knurled knob (C), pulling up or pushing down to desired height, then tighten as shown in Figure 2.
6. Installation is complete.

Care Instructions: Clean only with a soft dry cloth or feather duster. Do not use abrasive or chemical agents.

RALPH LAUREN

