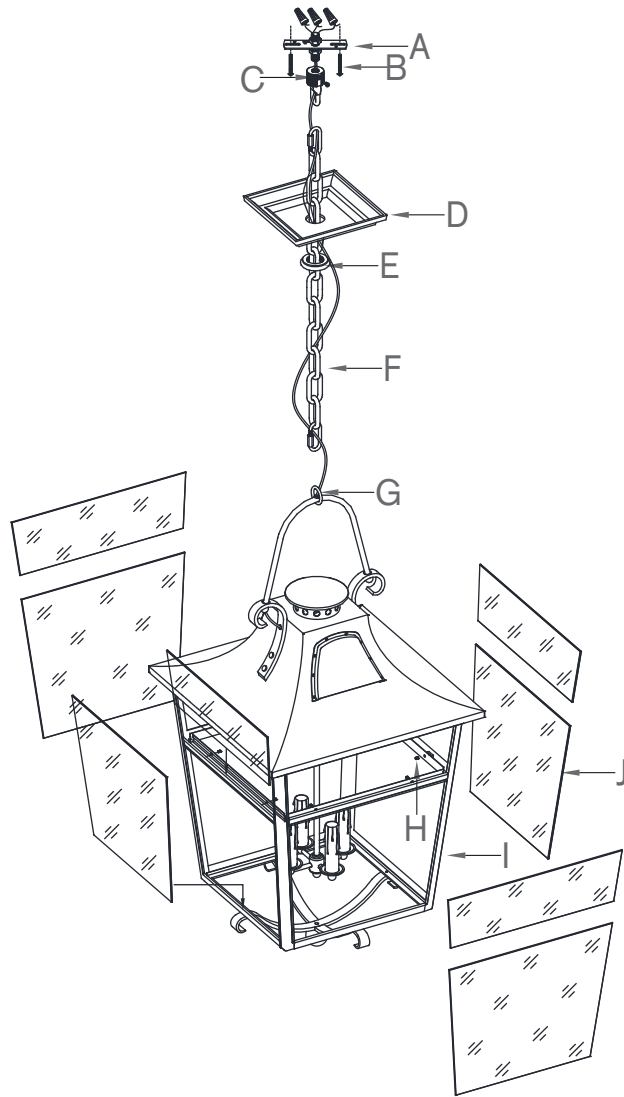


ASSEMBLY INSTRUCTIONS



Carrington Small Lantern

Item # RL 5733

NOTICE:

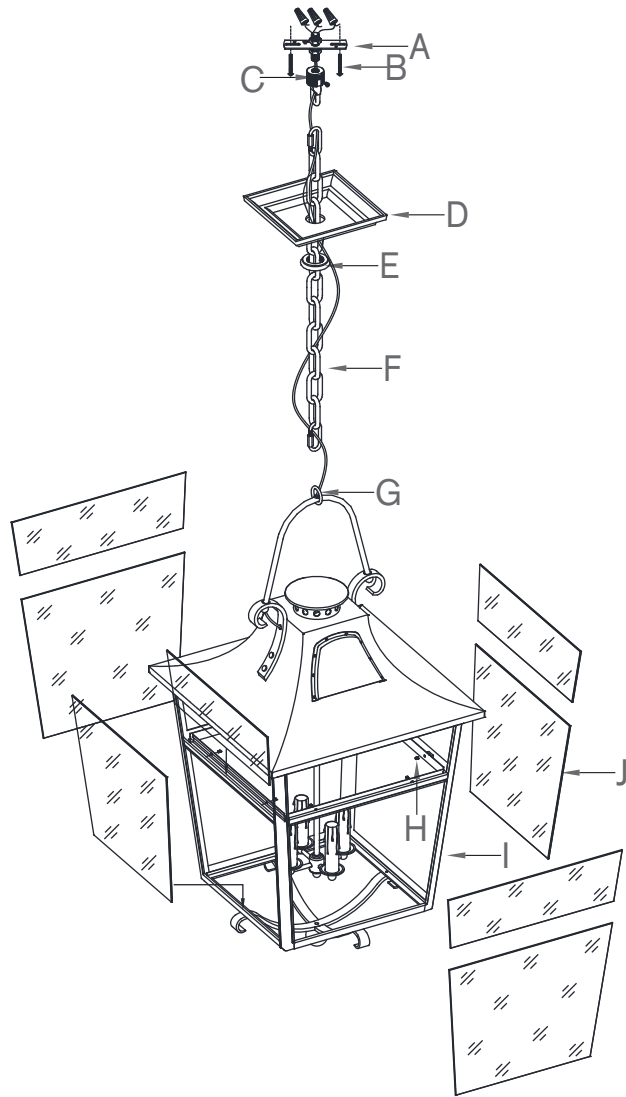
This light fixture should be installed in accordance with all applicable, local installation codes, and by a person familiar with the construction and operation of it, as well as the hazards involved. Inspect item and contents carefully. If any damage or defect is found, do not install. Retain all packaging material until installation is complete and approved.

1. Carefully remove all parts from the carton.
2. Loosen set screws (H), insert each glass panel (J) to the side frame of lantern box (I) and secure by tightening set screws (H).
3. Attach one side end link of chain (F) to top loop (G).
4. Feed wire through chain (F) and mounting loop (C).
5. Attach chain (F) with light fixture to chain mounting loop (C) at desired height.
6. Unscrewing canopy ring (E), slide canopy (D) and canopy ring (E) on chain (F).
7. Attach mounting strap (A) to ceiling outlet box and secure with mounting screws (B).
8. Attach chain mounting loop (C) to thread nipple in center of mounting strap (A).
9. Attach the bare copper ground from the fixture to the ground junction box wire (usually green or copper), fasten together with a plastic wire connector. Tighten wrap the wire connector with electrical tape. Be sure no wire strands are exposed. **IT IS IMPERATIVE THAT THE OUTLET BOX IN YOUR HOME BE PROPERLY GROUNDED.**
10. Connect neutral wire from fixture (ridges molded wire) to the neutral wire from the junction box (usually white). Fasten both wires together with a plastic wire connector and tightly wrap the wire connector with electrical tape. Be sure no wire strands are exposed.

RALPH LAUREN



ASSEMBLY INSTRUCTIONS



Carrington Small Lantern

Item # RL 5733

NOTICE:

This light fixture should be installed in accordance with all applicable, local installation codes, and by a person familiar with the construction and operation of it, as well as the hazards involved. Inspect item and contents carefully. If any damage or defect is found, do not install. Retain all packaging material until installation is complete and approved.

11. Connect the hot wires from the fixture (smooth wire) to the hot wire (usually black) from the junction box. Fasten each together with a plastic wire connector and wrap the connection with electrical tape. **DO NOT REVERSE THE HOT AND NEUTRAL CONNECTIONS OTHERWISE SAFETY WILL BE COMPROMISED.**
12. Tuck wire connections neatly into ceiling outlet box.
13. Slip canopy (D) to ceiling and secure with canopy ring (E).
14. Insert light bulbs into sockets.
15. Restore power and test fixture. Installation is complete.

Care Instructions: Clean only with a soft dry cloth or feather duster. Do not use abrasive or chemical agents.

RALPH LAUREN