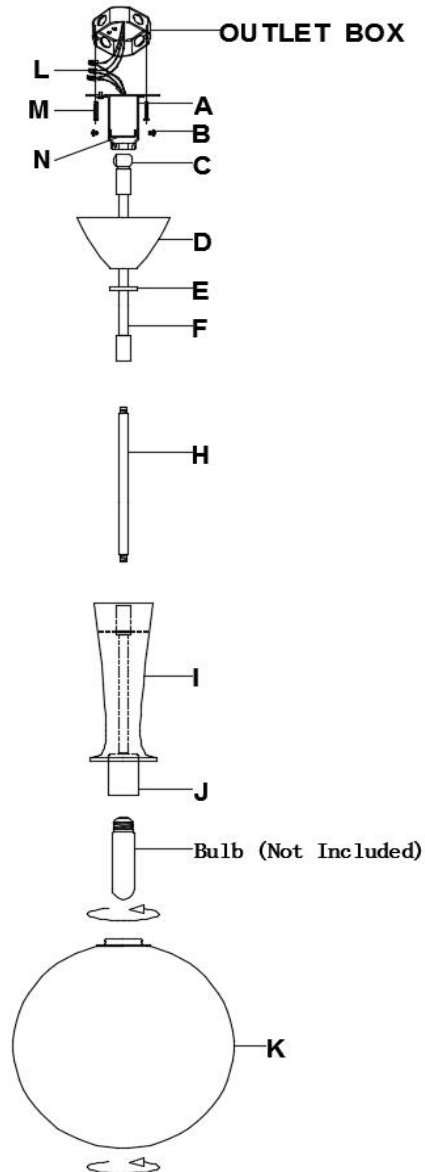


## ASSEMBLY INSTRUCTIONS



## Sesia Small Globe Pendant

### Item# ARN5360

WE RECOMMEND INSTALLATION OF THIS LIGHTING FIXTURE BE DONE BY A LICENSED ELECTRICIAN.  
WARNING\*\*\*SWITCH OFF THE MAIN ELECTRICAL SUPPLY FROM THE MAIN FUSE BOX/CIRCUIT BREAKER BEFORE INSTALLATION.

INSPECT ITEM CAREFULLY BEFORE ATTEMPTING TO INSTALL.  
IF THERE IS ANY DAMAGE OR OBVIOUS DEFECT. DO NOT INSTALL.

ITEM MAY NOT BE RETURNED ONCE IT HAS BEEN INSTALLED.

NOTE: CAREFULLY UNPACK EACH PIECE IN TOP LAYER OF PACKING PRIOR TO REMOVING.  
RETAIN ALL PACKING MATERIAL UNTILL INSPECTION AND INSTALLATION ARE FINAL.

1. Carefully remove all parts from the box.
2. Remove the mounting plate (A) from the canopy (D) by loosening collar ring (E).
3. Install the mounting plate(A) to the ceiling and secure with mounting screws(M).
4. Feed wire from fixture (I) through the rod (H),rod (F) with break,collar ring (E),canopy (D) and swivel ball (C).
5. Thread the bottom nipple of rod (H) into fixture (I).
6. Slide the collar ring (E) and canopy (D) through down the rod (H).
7. Thread the rod (F) with break to the rod (H).
8. Measure the wires and cut it to desired length. Be sure to be enough for connection to the outlet box wire.
9. Hook the swivel ball (C) to mounting loop for hanging the light fixture (I),then put the metal piece (N) into the mounting loop and secure with screws (B).
10. Connect the ground wire from the fixture to the ground wire from the outlet box(usually green or copper in color).  
  
IT IS IMPERATIVE THAT THIS FIXTURE BE GROUNDED.
11. Connect the fixture Neutral wire(white) from the fixture to the neutral wire(usually white) from the outlet box using wire nut(L).
12. Connect the fixture Hot wire(black) from the fixture to the Hot wire(usually black) from the outlet box using wire nut(L).  
  
DO NOT REVERSE THE HOT AND NEUTRAL CONNECTIONS OTHERWISE SAFETY WILL BE COMPROMISED.
13. Tuck the wire connections neatly into ceiling outlet box.
14. Put the canopy (D) flush to ceiling and secure with collar ring (E).
15. Insert the bulb(not included) into the socket (J).
16. Install the glass shade (K) to the fixture (I).
17. Installation is completed, turn on power at fuse or circuit breaker.

\*\*\* Clean with a dry, soft cloth only. Use no harsh abrasives or chemical agents.

