

ASSEMBLY INSTRUCTIONS

Presidio Large Linear Lantern

Item # S 5177

NOTICE:

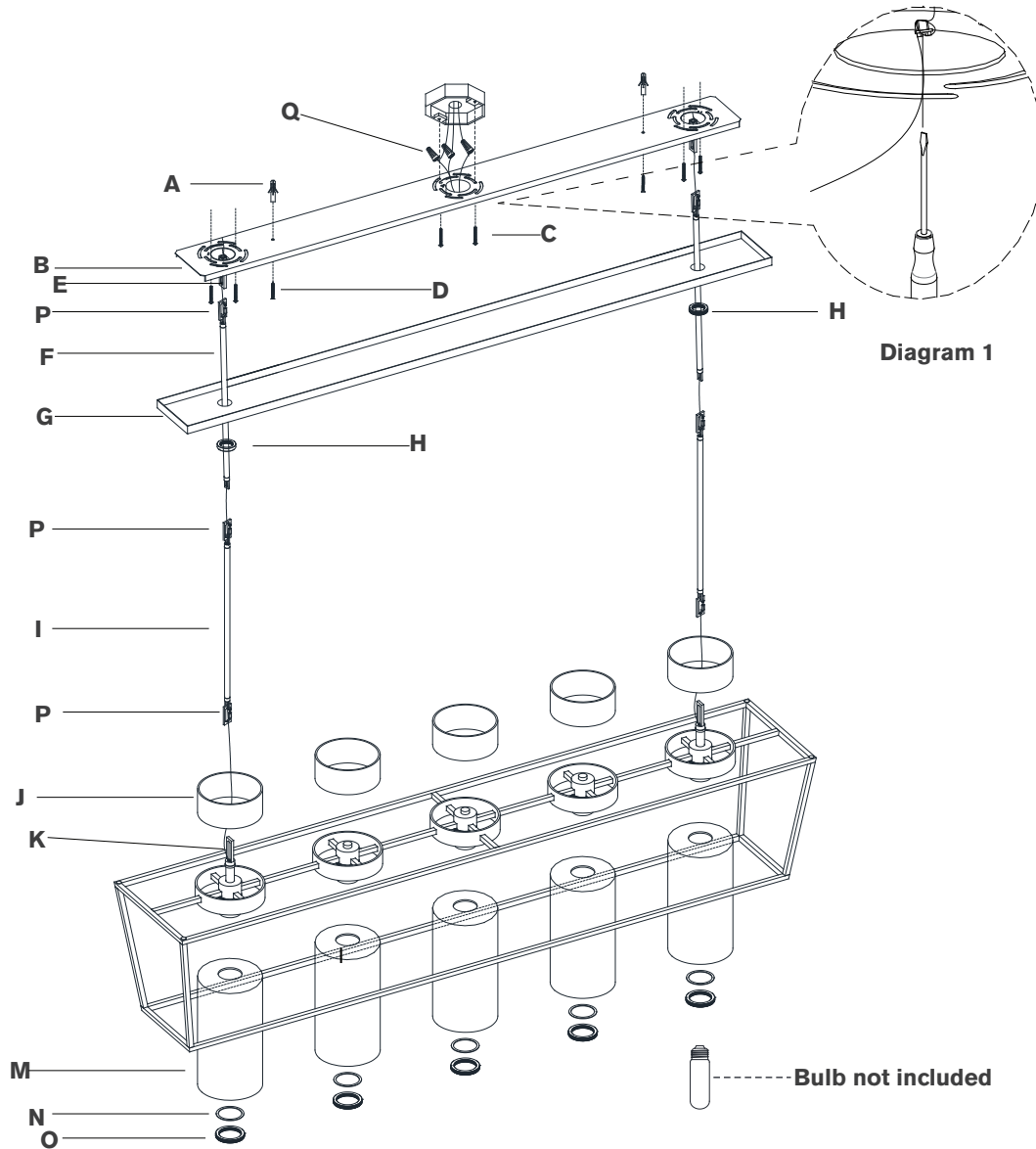
This light fixture should be installed in accordance with all applicable, local installation codes, and by a person familiar with the construction and operation of it, as well as the hazards involved. Inspect item and contents carefully. If any damage or defect is found, do not install. Retain all packaging material until installation is complete and approved.

TOOLS REQUIRED (NOT INCLUDED):

Phillips Screwdriver	Slotted Screwdriver	Wire Strippers
Wire Cutters	Hammer	Pencil
Drill		

PERSONS REQUIRED: Two

- Carefully remove all parts from the box. Place on a clean, soft surface.
 - Remove mounting plate **(B)** from canopy **(G)** by removing collar ring **(H)**.
 - Using the mounting plate **(B)** as a guide, line up with the ceiling and mark anchor positions.
 - Using a drill bit slightly smaller than the anchor, drill holes in the marked positions. Install anchors **(A)** into the holes using hammer.
 - Install mounting plate **(B)** to junction box and secure with mounting screws **(C)**, then secure wood screws **(D)** to anchors **(A)**.
 - Install canopy **(G)** to mounting plate **(B)** by securing with collar ring **(H)**.
 - Place top glass shades **(J)** onto top glass holders.
- NOTE:** It is recommended to have a helper assist in supporting the fixture for steps 8-9.
- Feed fixture wire and ground wire through bottom rods **(I)** and top rods **(F)**.



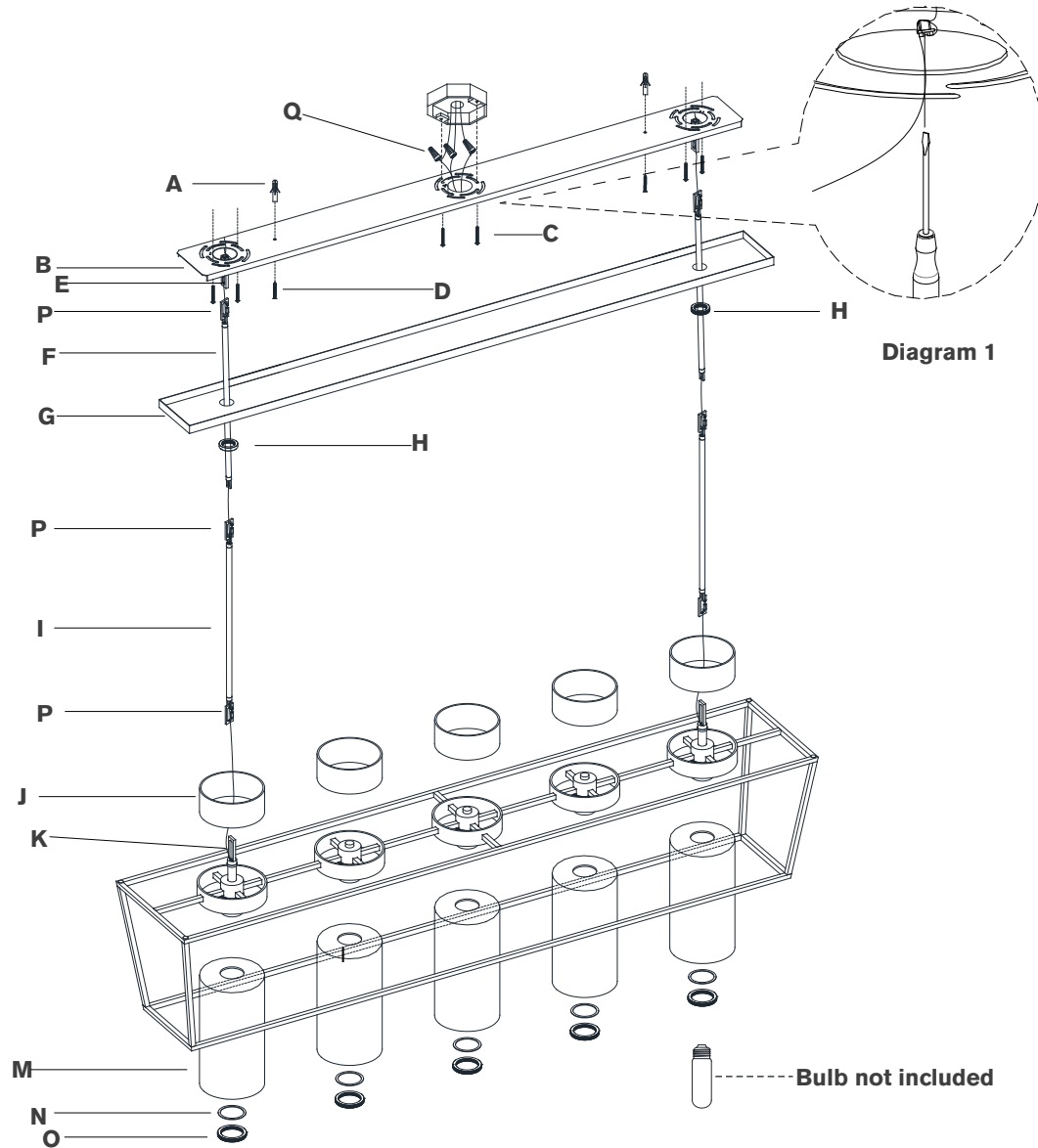
ASSEMBLY INSTRUCTIONS

Presidio Large Linear Lantern

Item # S 5177

NOTICE:

This light fixture should be installed in accordance with all applicable, local installation codes, and by a person familiar with the construction and operation of it, as well as the hazards involved. Inspect item and contents carefully. If any damage or defect is found, do not install. Retain all packaging material until installation is complete and approved.



9. Connect bottom rods (**I**) to top rods (**F**), then attach to fixture loops (**K**) and hooks (**E**). Secure links (**P**) at ends of rods.

NOTE: Ensure there is no tension on the wires. Cut excess wires, being sure to leave enough to reach the junction box.

10. Separate two sides of molded wire, and strip insulation on each 5/8".
11. Loosen collar rings (**H**) and let canopy (**G**) slip down rods carefully.
12. Wrap fixture ground wire (bare copper) around the green grounding screw (see diagram 1). Tighten. Continue fixture ground wire and connect to supply ground wire (usually green or bare copper) using wire nut (**Q**).

NOTE: It is imperative that the fixture is grounded.

13. Connect fixture neutral wire (ribbed) to the supply neutral wire (usually white) using wire nut (**Q**).
14. Connect fixture hot wire (smooth with markings) to the supply hot wire (usually black) using wire nut (**Q**).

CAUTION: Do not reverse the hot and neutral connections.

15. Make sure all wire connections are tight, then carefully tuck into the junction box.
16. Install canopy (**G**) to mounting plate (**B**) by securing with collar ring (**H**).
17. Remove rubber washers (**N**) and socket rings (**Q**) from the sockets, then install glass shades (**M**) to socket holders and secure with rubber washers (**N**) and socket rings (**Q**).
18. Install light bulbs into the sockets.

NOTE: Do not overtighten otherwise shade could become damaged.

Care Instructions: Clean only with a soft dry cloth or feather duster. Do not use abrasive or chemical agents.