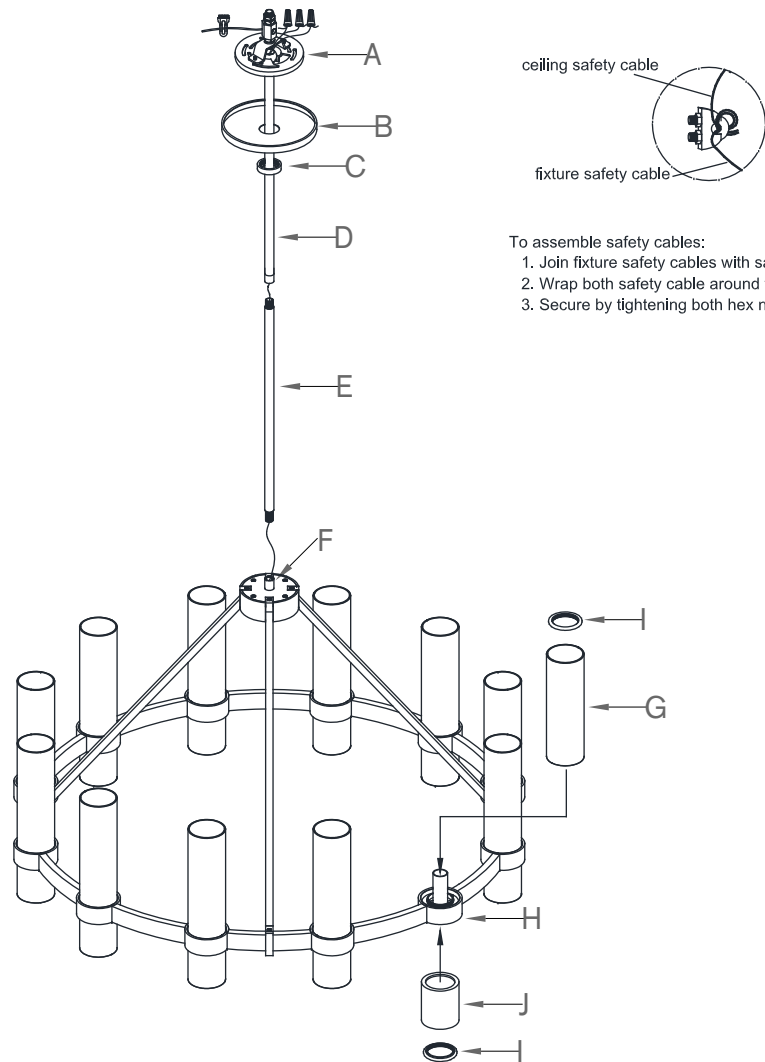


ASSEMBLY INSTRUCTIONS



- To assemble safety cables:
1. Join fixture safety cables with safety cable from ceiling.
 2. Wrap both safety cable around the cable lock nut.
 3. Secure by tightening both hex nuts until tight.

Presidio Medium Chandelier

Item # S 5680

WE RECOMMEND INSTALLATION OF THIS LIGHTING FIXTURE BE DONE BY A LICENSED ELECTRICIAN.

WARNING * SWITCH OFF THE MAIN ELECTRICAL SUPPLY FROM THE MAIN FUSE BOX/CIRCUIT BREAKER BEFORE INSTALLATION.**

INSPECT ITEM CAREFULLY BEFORE ATTEMPTING TO INSTALL. IF THERE IS ANY DAMAGE OR OBVIOUS DEFECT, DO NOT INSTALL.

ITEM MAY NOT BE RETURNED ONCE IT HAS BEEN INSTALLED.

1. Carefully remove all parts from the carton
2. Provide a 1/4" IPS pipe with one end securely mounted to beam or a structural. The other end should protrude through the center of the outlet box as shown.
3. Feed the wire through the connection rod (E).
4. Thread connection rod (E) into the joint (F) by turning in a clockwise direction until tight.
5. Unscrew canopy ring (C), slide canopy ring (C) and canopy (B) on connection rod (D).
6. Feed the wire through the connection rod (D) and come out from the mounting plate (A).
7. Insert top threaded nipple on top of canopy (A) in mounting 1/4 IPS pipe.
8. Lace the fixture wires, ground wires and safety cable through the mounting plate (A) . exiting through the side of hickey. Run the safety cable through the top of the outlet box and secure to structural member.
9. Attach fixture steel safety cable to structural member in the ceiling.
10. Attach the bare copper ground from the fixture to the ground junction box wire (usually green or copper), fasten together with a plastic wire connector. Tightly wrap the wire connector with electrical tape. Be sure no wire strands are exposed. **IT IS IMPERATIVE THAT THE OUTLET BOX IN YOUR HOME BE PROPERLY GROUNDED.**
11. Connect neutral wire from fixture (ribbed molded wire) to the neutral wire from the junction box (usually white) . Fasten both wires together with a plastic wire connector and tightly wrap the wire connector with electrical tape. Be sure no wire strands are exposed.
12. Connect the hot wires from the fixture (smooth wire) to the hot wire (usually black) from the junction box. Fasten both together with a plastic wire connector and wrap the connection with electrical tape. **DO NOT REVERSE THE HOT AND NEUTRAL CONNECTIONS OTHERWISE SAFETY WILL BE COMPROMISED.**
13. Tuck wire connections neatly into ceiling outlet box.
14. Slip canopy (B) to ceiling and secure with canopy collar (C).
15. Insert light bulbs into sockets.
16. Remove socket rings (I) from shade holders (H), attach glass shades (G) to top of shade holders (H), attach glass cylinders (J) onto bottom of shade holder (H) and secure with socket rings (I).
17. Restore power and test fixture. Installation is complete.

*** Clean with a dry, soft cloth only. Use no harsh abrasives or chemical agents.