

ASSEMBLY INSTRUCTIONS

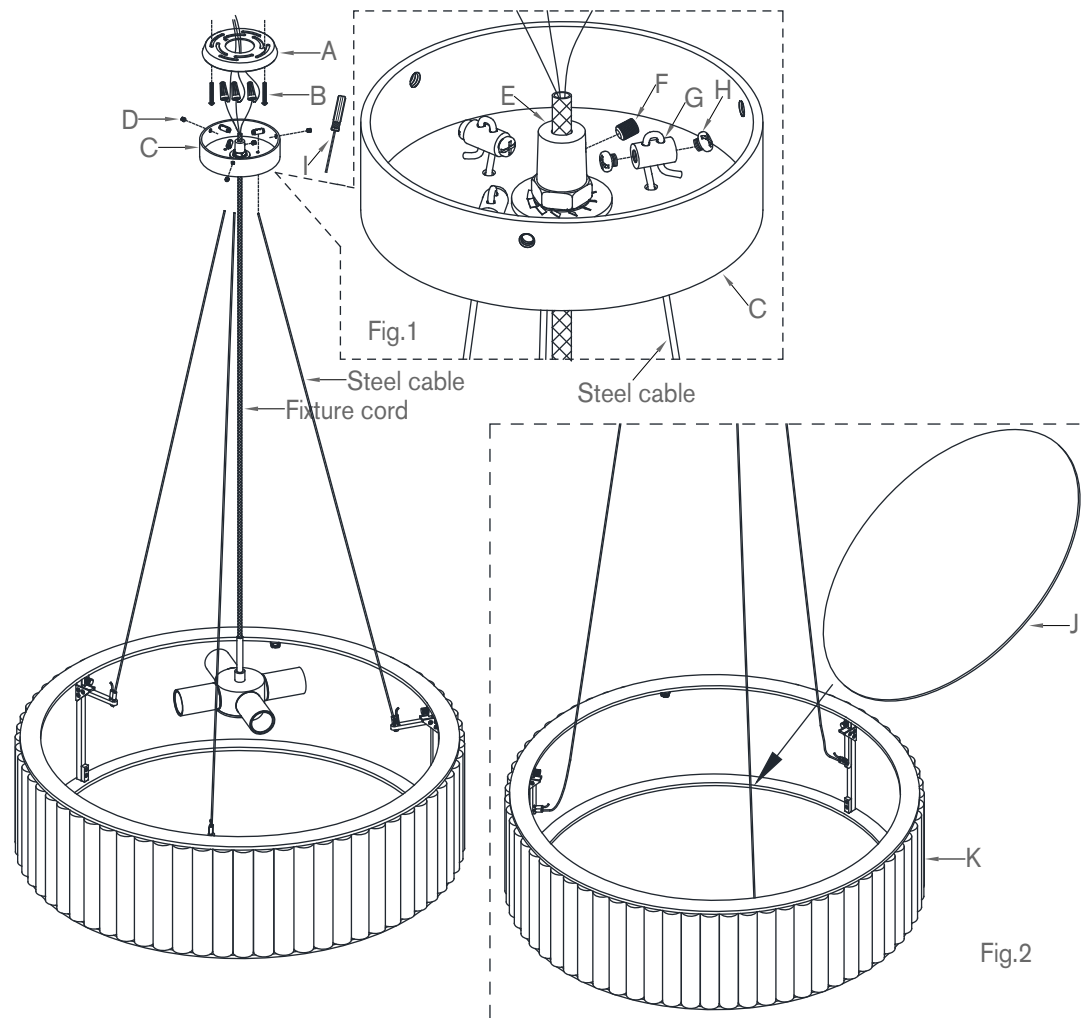
Palati Large Hanging Shade
Item # S 5440

WE RECOMMEND INSTALLATION OF THIS LIGHTING FIXTURE BE DONE BY A LICENSED ELECTRICIAN.

WARNING * SWITCH OFF THE MAIN ELECTRICAL SUPPLY FROM THE MAIN FUSE BOX/CIRCUIT BREAKER BEFORE INSTALLATION.**

INSPECT ITEM CAREFULLY BEFORE ATTEMPTING TO INSTALL. IF THERE IS ANY DAMAGE OR OBVIOUS DEFECT, DO NOT INSTALL.

ITEM MAY NOT BE RETURNED ONCE IT HAS BEEN INSTALLED.



1. Carefully remove all parts from the carton.
2. Remove mounting plate (A) from canopy (C) by removing canopy screws (D). Allen wrench (I) is provided to loosen the canopy screw.
3. Affix mounting plate (A) to ceiling outlet box with mounting screws (B) provided.
4. Put the diffuser (J) into the light fixture (K). (Fig. 2)
5. Loosen set screw (F) from cord holder (E) in canopy.
6. Feed the fixture cord through canopy (C) and cord clip (E). Feed the 3 steel cables through the small holes on edge of canopy (C).
7. To determine the hanging length for the pendant,
 - a. Adjust the 3 steel cables to desired length, then cut the extra length of the steel cables and secure with lock nut (G) & screws (H). (Fig.1)
 - b. Adjust the fixture cord length, letting the socket assembly sets right in the center of pendant shade, cut off extra length of the fixture cord.
8. Tighten the set screw (F) to secure cord holder (E) to the fixture cord.
9. Gently pull the wires from the ceiling outlet through the center hole of mounting plate (A).
10. Attach the bare copper ground from the fixture to the ground outlet box wire (usually green or copper), fasten together with a plastic wire connector. Tighten wrap the wire connector with electrical tape. Be sure no wire strands are exposed. **IT IS IMPERATIVE THAT THE OUTLET BOX IN YOUR HOME BE PROPERLY GROUNDED.**
11. Connect neutral wire (ridges molded) from fixture to the neutral wire (usually white) from the outlet box. Fasten both wires together with a plastic wire connector and tightly wrap the wire connector with electrical tape. Be sure no wire strands are exposed.
12. Connect the hot wires (smooth) from the fixture to the hot wire (usually black) from the outlet box. Fasten each together with a plastic wire connector and wrap the connection with electrical tape. **DO NOT REVERSE THE HOT AND NEUTRAL CONNECTIONS OTHERWISE SAFETY WILL BE COMPROMISED.**
13. Tuck the wire connections neatly into the ceiling outlet box.
14. Hang light fixture with canopy (C) to the ceiling and secure with canopy screws (D).
15. Insert light bulbs (not included) into sockets.
16. Installation is complete. Restore power and test fixture.

*** Clean with a dry, soft cloth only. Use no harsh abrasives or chemical agents.