

PRODUCT FEATURES

- For the modern appeal, two glass spurs extend in opposite directions and are illuminated by a compact diffused LED
- Mounts vertically or horizontally to accommodate any space
- Complete the look with the entire Spur family, including the chandeliers, ceiling mount and pendant
- Lamping options are compatible with most dimmers
- The LED Driver is housed within the junction box for this product
- Protected by a 5-year warranty. please visit the "About Us" Page on techlighting.com for more for warranty details



LAMPING

Includes 120 volt 11 watts, 729 total delivered lumens 2700K LED module. Dimmable with most LED compatible ELV and TRIAC dimmers. 277V compatible with 0-10V dimmers. Mounts up or down.

Frost/Aged Brass



Frost/Aged Brass

Frost/Satin Nickel

Frost/Matte Black

Frost/Polished Nickel

To view all available finish options, please visit techlighting.com

ORDERING INFORMATION

700WSSPR	FINISH	LAMP
	R AGED BRASS	-LED927 INTEGRATED LED 90 CRI 2700K 120V (T24)
	B MATTE BLACK	-LED927-277 INTEGRATED LED 90 CRI 2700K 277V
	N POLISHED NICKEL	
	S SATIN NICKEL	

700WSSPR _____

JOB NAME _____

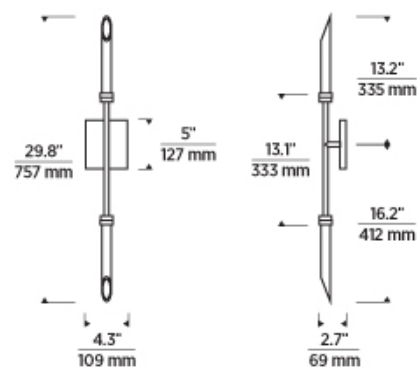
NOTES _____

SPUR WALL

VISUAL COMFORT & CO.

SPECIFICATIONS

PRIMARY MATERIAL	Steel
SHADE MATERIAL	Glass
NET WEIGHT	2 lbs
HEIGHT	29.8in
WIDTH	2.7in
LENGTH	4.3in
MIN. EXTENSION FROM WALL	2.7in
UP LIGHT / DOWN LIGHT / BOTH?	
WET LISTED	
DAMP LISTED	
DRY LISTED	
UP / DOWN	
HORIZONTAL / VERTICAL	
WALL / CEILING MOUNT	
GENERAL LISTING	ETL Listed
ADA COMPLIANT	
INCLUDES	



LAMPING SPECIFICATIONS

	LED LAMP	INTEGRATED LED	NON LED	NO LAMP
DELIVERED LUMENS		729		
WATTS		11		
MAX WATTAGE PER BULB		11W		
		120V ELV, TRIAC 277V 0-10V		
CCT		2700K		
CRI		90 CRI		
LED LIFETIME				
L70		>50000		
AVERAGE BULB HOURS				
FIELD SERVICEABLE LED				
LAMP BASE		Integrated LED		
LAMP SHAPE		Integrated LED		
LAMP INCLUDED?		True		
WARRANTY**		5 Years		

* Dimming information available at www.techlighting.com/Downloads#dimming

** Visit techlighting.com for specific warranty limitations and details.

T20 / T24 / JA8 INFORMATION

	Integrated LED	Replacement LED Lamp	No Lamp *
This product can be used to comply with California Building Energy Efficiency Standards 2016 Title 24 Part 6 / JA8.	Yes		
This product can be used to comply with California Appliance Efficiency Standards 2016 Title 20 and may be shipped to and sold in California.	N/A		

* If a light fixture or component does not include a lamp or light source, it is the responsibility of the customer to select a lamp that meets the T24 and T20 requirements.

