

SHANTI X-LARGE PENDANT

VISUAL COMFORT & CO.

PRODUCT FEATURES

- Contemporary design inspired by the clean lines of an industrial setting
- Works well over tables, kitchen islands, bars and a host of other applications
- Modern finishes available
- Complementary wall sconce light and additional pendant sizes available
- Fully dimmable integrated LED lamp
- Protected by a 5-year warranty, please visit the "About Us" Page on techlighting.com for more for warranty details

LAMPING

Includes 12 watt, 304 total delivered lumens, 90 CRI 2700K LED modules. Dimmable with most LED compatible ELV, TRIAC and 0-10V dimmers. Ships with 4-12" and 2-6" rigid stems. 120V-277V. Sloped ceiling compatible up to 22.5°.



Natural Brass



Natural Brass

Natural Brass Alt View

Dark Bronze

Polished Nickel

ORDERING INFORMATION

SLPDI35	COLOR TEMP	FINISH
	27 2700K	BZ DARK BRONZE NB NATURAL BRASS N POLISHED NICKEL

SLPDI35 _____

JOB NAME _____

NOTES _____

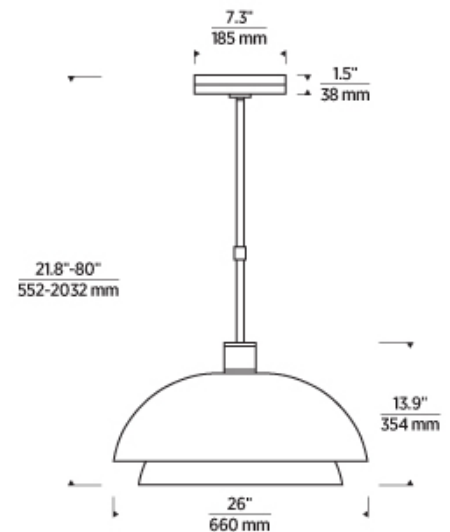


SHANTI X-LARGE PENDANT

VISUAL COMFORT & Co.

SPECIFICATIONS

PRIMARY MATERIAL	Steel Or Brass
SHADE MATERIAL	Steel Or Brass
NET WEIGHT	29.5 lbs
HEIGHT	13.9in
WIDTH	26in
LENGTH	26in
UP LIGHT / DOWN LIGHT / BOTH?	
WET LISTED	
DAMP LISTED	
DRY LISTED	
MIN. HANGING HEIGHT	21.8in
MAX HANGING HEIGHT	80in
TOTAL CORD LENGTH	
TOTAL STEM LENGTH	Up to 60in
STEM QTY	6
SLOPED CEILING ADAPTABLE?	Yes 22.5° Max
GENERAL LISTING	ETL Listed
INCLUDES	



LAMPING SPECIFICATIONS

	LED LAMP	INTEGRATED LED	NON LED	NO LAMP
DELIVERED LUMENS		304		
WATTS		12		
MAX WATTAGE PER BULB		12W		
		Universal 120V-277V 0-10, ELV, TRIAC		
CCT		2700K		
CRI		90 CRI		
LED LIFETIME				
L70		>50000		
AVERAGE BULB HOURS				
FIELD SERVICEABLE LED				
LAMP BASE		Integrated LED		
LAMP SHAPE		Integrated LED		
LAMP INCLUDED?		True		
WARRANTY**		5 Years		

* Dimming information available at www.techlighting.com/Downloads#dimming

** Visit techlighting.com for specific warranty limitations and details.

T20 / T24 / JA8 INFORMATION

	Integrated LED	Replacement LED Lamp	No Lamp *
This product can be used to comply with California Building Energy Efficiency Standards 2016 Title 24 Part 6 / JA8.	No		
This product can be used to comply with California Appliance Efficiency Standards 2016 Title 20 and may be shipped to and sold in California.			

* If a light fixture or component does not include a lamp or light source, it is the responsibility of the customer to select a lamp that meets the T24 and T20 requirements.

