

SERRE 36 BATH

VISUAL COMFORT & CO.

PRODUCT FEATURES



LAMPING

Includes 35.1 watt, 1237 delivered lumens, 2700K 90 CRI LED module.
Dimmable with most LED compatible ELV, TRIAC and 0-10V dimmers.
ADA compliant. Mounts vertical or horizontal. 120V-277V.

Polished Nickel



Nightshade Black

Natural Brass

Polished Nickel

Polished Nickel Alt View

ORDERING INFORMATION

MDBA185	COLOR TEMP	FINISH
	27 2700K	NB NATURAL BRASS B NIGHTSHADE BLACK N POLISHED NICKEL

MDBA185 _____

JOB NAME _____

NOTES _____

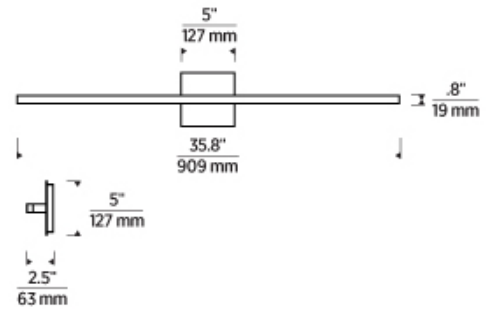


SERRE 36 BATH

VISUAL COMFORT & Co.

SPECIFICATIONS

PRIMARY MATERIAL	Aluminum or Brass
SHADE MATERIAL	Crystal
NET WEIGHT	5.5 lbs
HEIGHT	5in
WIDTH	2.5in
LENGTH	35.8in
WET LISTED	
DAMP LISTED	
DRY LISTED	
GENERAL LISTING	ETL Listed
INCLUDES	



LAMPING SPECIFICATIONS

	LED LAMP	INTEGRATED LED	NON LED	NO LAMP
DELIVERED LUMENS		1237		
WATTS		35.1		
MAX WATTAGE PER BULB		35.1W		
		Universal 120V-277V 0-10, ELV, TRIAC		
CCT		2700K		
CRI		90 CRI		
LED LIFETIME		>50000		
AVERAGE BULB HOURS				
FIELD SERVICEABLE LED				
LAMP BASE		Integrated LED		
LAMP SHAPE		Integrated LED		
LAMP INCLUDED?		True		
WARRANTY**		5 Years		

* Dimming information available at www.techlighting.com/Downloads#dimming

** Visit techlighting.com for specific warranty limitations and details.

T20 / T24 / JA8 INFORMATION

	Integrated LED	Replacement LED Lamp	No Lamp *
This product can be used to comply with California Building Energy Efficiency Standards 2016 Title 24 Part 6 / JA8.	Yes		
This product can be used to comply with California Appliance Efficiency Standards 2016 Title 20 and may be shipped to and sold in California.			

* If a light fixture or component does not include a lamp or light source, it is the responsibility of the customer to select a lamp that meets the T24 and T20 requirements.

