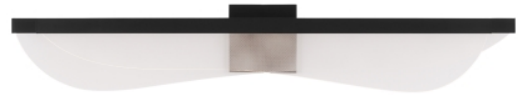


PRODUCT FEATURES

- Contemporary Modern Style
- Two suspended blades of light designed with light guide technology
- Each acrylic panel emits a generous amount of illumination
- Designed with light guide technology
- The LED Driver is housed within the junction box for this product
- Protected by a 5-year warranty, please visit the "About Us" Page on techlighting.com for more for warranty details



LAMPING

Includes 34 watt, 2630 delivered lumens, 3000K LED module.
 Dimmable with most LED compatible ELV, TRIAC and 0-10V dimmers.
 Mounts horizontally or vertically. Up or downlight. 120V-277V.

Nightshade Black



Nightshade Black

Plated Brass

Polished Nickel

ORDERING INFORMATION

SLBA147	COLOR TEMP	FINISH
	303000K	B NIGHTSHADE BLACK BR PLATED BRASS N POLISHED NICKEL

SLBA147 _____

JOB NAME _____

NOTES _____

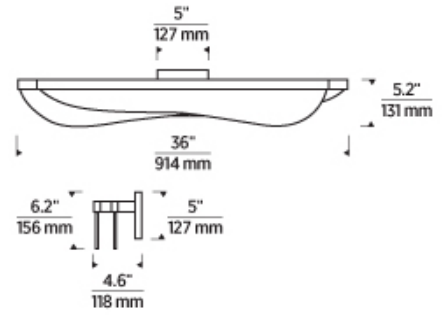


NYRA 36 BATH

VISUAL COMFORT & Co.

SPECIFICATIONS

PRIMARY MATERIAL	Aluminum
SHADE MATERIAL	Acrylic
NET WEIGHT	8 lbs
HEIGHT	6.2in
WIDTH	4.6in
LENGTH	36in
WET LISTED	
DAMP LISTED	
DRY LISTED	
GENERAL LISTING	ETL Listed
INCLUDES	



LAMPING SPECIFICATIONS

	LED LAMP	INTEGRATED LED	NON LED	NO LAMP
DELIVERED LUMENS		2630		
WATTS		34		
MAX WATTAGE PER BULB		34W		
		Universal 120V-277V 0-10, ELV, TRIAC		
CCT		3000K		
CRI		90 CRI		
LED LIFETIME		>50000		
L70				
AVERAGE BULB HOURS				
FIELD SERVICEABLE LED				
LAMP BASE		Integrated LED		
LAMP SHAPE		Integrated LED		
LAMP INCLUDED?		True		
WARRANTY**		5 Years		

* Dimming information available at www.techlighting.com/Downloads#dimming

** Visit techlighting.com for specific warranty limitations and details.

T20 / T24 / JA8 INFORMATION

	Integrated LED	Replacement LED Lamp	No Lamp *
This product can be used to comply with California Building Energy Efficiency Standards 2016 Title 24 Part 6 / JA8.	Yes		
This product can be used to comply with California Appliance Efficiency Standards 2016 Title 20 and may be shipped to and sold in California.			

* If a light fixture or component does not include a lamp or light source, it is the responsibility of the customer to select a lamp that meets the T24 and T20 requirements.

