

# LAUREL LARGE LINEAR CHANDELIER

VISUAL COMFORT & CO.

## PRODUCT FEATURES

- Poured-Cast Glass manufactured in Italy
- Fully dimmable integrated LED lamp
- This item is made of natural brass. It is a living finish that will patina and warm with age which adds richness. If it gets an uneven patina or spots, a brass cleaner can restore the finish
- Great feature piece to anchor a large dining room, foyer or living space
- Protected by a 5-year warranty



## LAMPING

Includes 30 watts, 1000 total delivered lumens, 2700K LED module. Dimmable with most LED compatible ELV dimmers. Ships with (8) 12" and (4) 6" rigid stems in coordinating finish. Can be installed on a sloped ceiling up to 30°. 120V-277V. Not dimmable when used on 277V application.

Natural Brass



Natural Brass

Natural Brass Alt View

## ORDERING INFORMATION

KWLS209	COLOR TEMP	COLOR	FINISH
	27 2700K	C CLEAR	NB NATURAL BRASS

KWLS209 \_\_\_\_\_

JOB NAME \_\_\_\_\_

NOTES \_\_\_\_\_

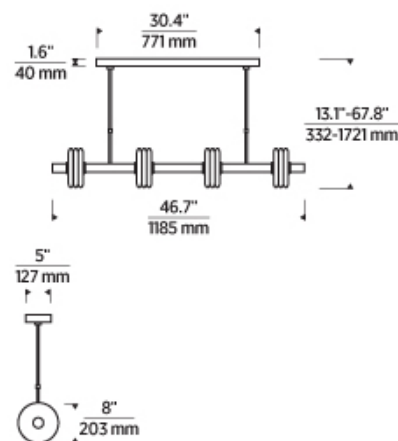


# LAUREL LARGE LINEAR CHANDELIER

VISUAL COMFORT & Co.

## SPECIFICATIONS

PRIMARY MATERIAL	Brass
SHADE MATERIAL	Crystal
NET WEIGHT	55 lbs
HEIGHT	8in
WIDTH	8in
LENGTH	46.7in
UP LIGHT / DOWN LIGHT / BOTH?	
WET LISTED	
DAMP LISTED	
DRY LISTED	
MIN. HANGING HEIGHT	13.1in
MAX HANGING HEIGHT	67.8in
TOTAL CORD LENGTH	
TOTAL STEM LENGTH	Up to 120in
STEM QTY	12
SLOPED CEILING ADAPTABLE?	Yes 30° Max
GENERAL LISTING	ETL Listed
INCLUDES	



## LAMPING SPECIFICATIONS

	LED LAMP	INTEGRATED LED	NON LED	NO LAMP
DELIVERED LUMENS		1000		
WATTS		30		
MAX WATTAGE PER BULB		30W		
		Universal 120V-277V ELV		
CCT		2700K		
CRI		90 CRI		
LED LIFETIME		>50000		
L70				
AVERAGE BULB HOURS				
FIELD SERVICEABLE LED				
LAMP BASE		Integrated LED		
LAMP SHAPE		Integrated LED		
LAMP INCLUDED?		True		
WARRANTY**		5 Years		

\* Dimming information available at [www.techlighting.com/Downloads#dimming](http://www.techlighting.com/Downloads#dimming)

\*\* Visit [techlighting.com](http://techlighting.com) for specific warranty limitations and details.

## T20 / T24 / JA8 INFORMATION

	Integrated LED	Replacement LED Lamp	No Lamp *
This product can be used to comply with California Building Energy Efficiency Standards 2016 Title 24 Part 6 / JA8.	Yes		
This product can be used to comply with California Appliance Efficiency Standards 2016 Title 20 and may be shipped to and sold in California.			

\* If a light fixture or component does not include a lamp or light source, it is the responsibility of the customer to select a lamp that meets the T24 and T20 requirements.

