

Langston Medium Bath 23

700BCLGSN23_ 1.0

VISUAL COMFORT & Co.

MODERN COLLECTION

GENERAL PRODUCT INFORMATION:

These fixtures are intended to be installed utilizing NEC compliant junction boxes.

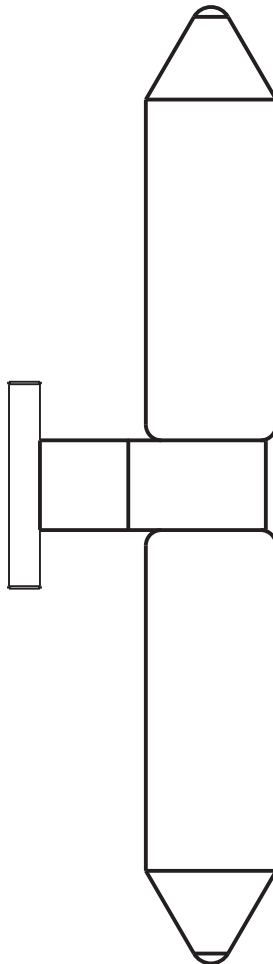
This product is suitable for damp locations.

This instruction shows a typical installation.



CAUTION - RISK OF FIRE
This product must be installed in accordance with the applicable installation code by a person familiar with the construction and operation of the product and the hazards involved.
Use minimum 90°C supply conductors.

SAVE THESE INSTRUCTIONS!



VISUAL COMFORT & Co.

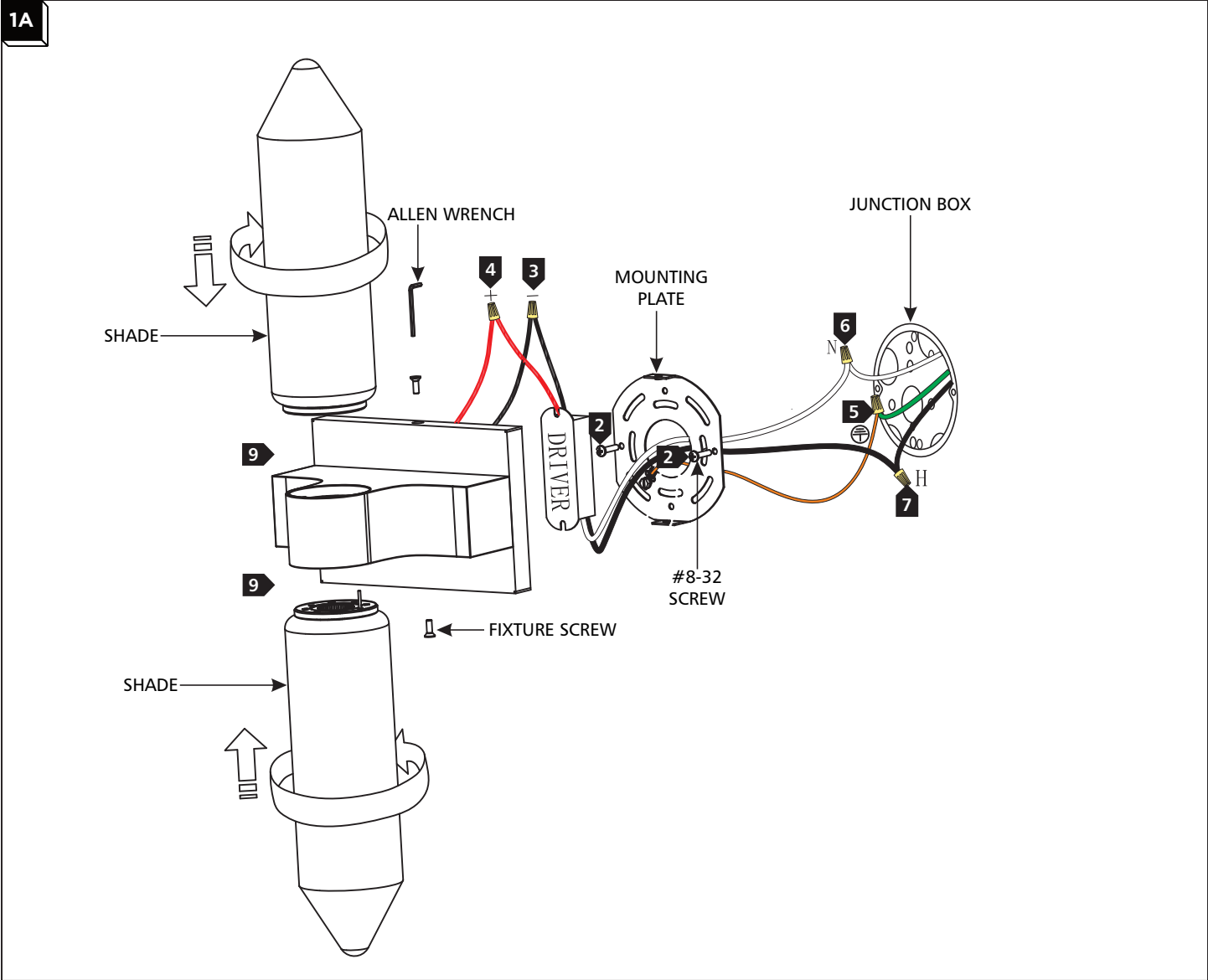
7400 Linder Ave., Skokie, IL 60077

T 847.410.4400 | F

847.410.4500

www.visualcomfort.com

Install the Fixture



- 1 With the provided Allen wrench, loosen (do not remove) the set screw on the fixture base.
- 2 Remove the mounting plate from the fixture base and secure it to the junction box with the two provided #8-32 screws.
- 3 Connect the negative (-) fixture wire to the negative (-) output driver wire with a wire nut.
- 4 Connect the positive (+) fixture wire to the positive (+) output driver wire with a wire nut.
- 5 Connect the fixture to a suitable ground in accordance with local electrical codes.
- 6 Connect the white input driver wire to the neutral power line with a wire nut.
- 7 Connect the black input driver wire to the hot power line with a wire nut.
- 8 Properly place the driver, all wires, and wire nut connections into the fixture, then mount the fixture base onto the mounting plate and secure it in place by reinstalling the fixture screw using the provided Allen wrench.
- 9 Screw the shades onto the fixture.