

KOLA 22 FLUSH MOUNT

VISUAL COMFORT & CO.

PRODUCT FEATURES

- Contemporary Modern Style
- Inspired by the Kola Superdeep Borehole, the deepest hole ever drilled at 40K feet
- Laser etched acrylic designed within a blown glass shade
- This item is made of natural brass. It is a living finish that will patina and warm with age which adds richness. If it gets an uneven patina or spots, a brass cleaner can restore the finish
- Available in modern finishes
- Protected by a 5-year warranty. Please visit the "About Us" Page on techlighting.com for more for warranty details



LAMPING

Includes 120 or 277 volt 38.3 watts, 2275 delivered lumens, 90 CRI 2700K LED module. 120V dimmable with most LED compatible ELV and TRIAC dimmers. 277V dimmable with 0-10V dimmers. Ceiling mount only.

Nightshade Black



Nightshade Black

Nightshade Black
Alt View

Natural Brass

Natural Brass Alt
View

ORDERING INFORMATION

700FMKLA	LENGTH (A)	FINISH	LAMP
	22 22"	NB NATURAL BRASS	-LED927 INTEGRATED LED 90 CRI 2700K 120V
		B NIGHTSHADE BLACK	-LED927-277 INTEGRATED LED 90 CRI 2700K 277V

700FMKLA _____

JOB NAME _____

NOTES _____

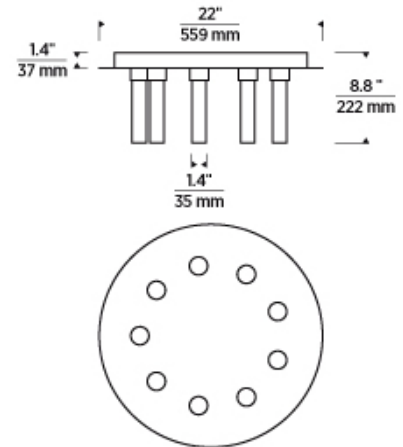


KOLA 22 FLUSH MOUNT

VISUAL COMFORT & Co.

SPECIFICATIONS

PRIMARY MATERIAL	Steel Or Brass
SHADE MATERIAL	Glass
NET WEIGHT	14.5 lbs
HEIGHT	8.8in
WIDTH	22in
LENGTH	22in
UP LIGHT / DOWN LIGHT / BOTH?	
WET LISTED	
DAMP LISTED	
DRY LISTED	
WALL / CEILING MOUNT	
GENERAL LISTING	ETL Listed
INCLUDES	



LAMPING SPECIFICATIONS

	LED LAMP	INTEGRATED LED	NON LED	NO LAMP
DELIVERED LUMENS		2275		
WATTS		38.3		
MAX WATTAGE PER BULB		38.3W		
		120V ELV, TRIAC 277V 0-10V		
CCT		2700K		
CRI		90 CRI		
LED LIFETIME				
L70		>50000		
AVERAGE BULB HOURS				
FIELD SERVICEABLE LED				
LAMP BASE		Integrated LED		
LAMP SHAPE		Integrated LED		
LAMP INCLUDED?		True		
WARRANTY**		5 Years		

* Dimming information available at www.techlighting.com/Downloads#dimming

** Visit techlighting.com for specific warranty limitations and details.

T20 / T24 / JA8 INFORMATION

	Integrated LED	Replacement LED Lamp	No Lamp *
This product can be used to comply with California Building Energy Efficiency Standards 2016 Title 24 Part 6 / JA8.	Yes		
This product can be used to comply with California Appliance Efficiency Standards 2016 Title 20 and may be shipped to and sold in California.	N/A		

* If a light fixture or component does not include a lamp or light source, it is the responsibility of the customer to select a lamp that meets the T24 and T20 requirements.

