

Kai Flush Mount

700FMKAI_

1.0

VISUAL COMFORT & Co.

MODERN COLLECTION

GENERAL PRODUCT INFORMATION:



These fixtures are intended to be installed utilizing NEC compliant junction boxes.

This product is suitable for damp locations.

This product can be dimmed with most ELV or TRIAC dimmers.

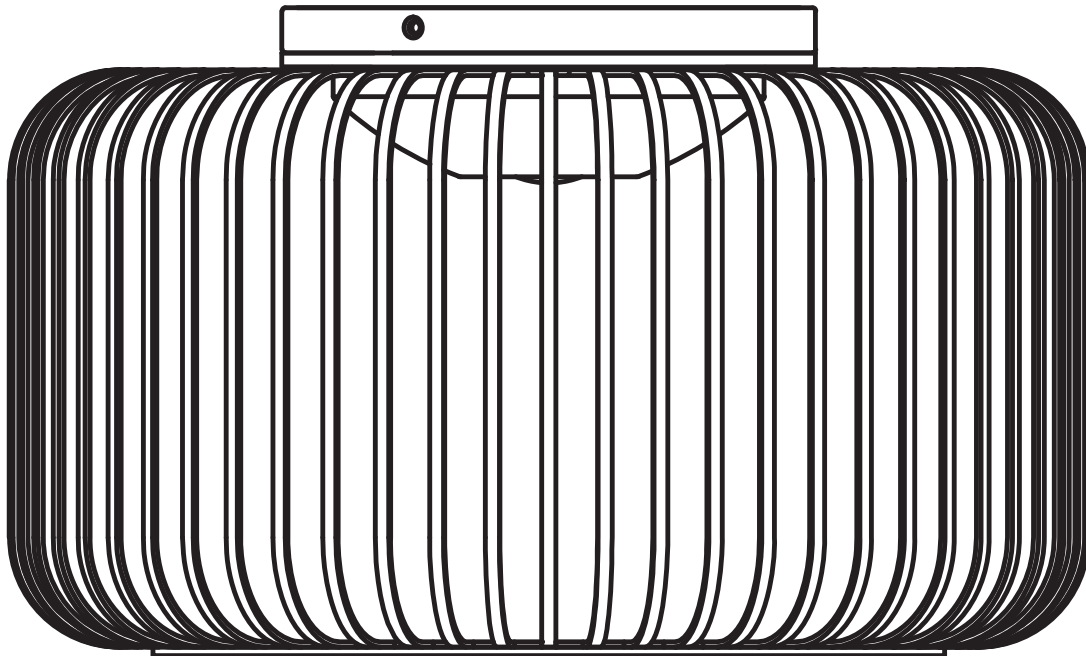
This instruction shows a typical installation.

CAUTION - RISK OF FIRE

This product must be installed in accordance with the applicable installation code by a person familiar with the construction and operation of the product and the hazards involved.

Use minimum 90°C supply conductors.

SAVE THESE INSTRUCTIONS!



VISUAL COMFORT & Co.

7400 Linder Ave., Skokie, IL 60077

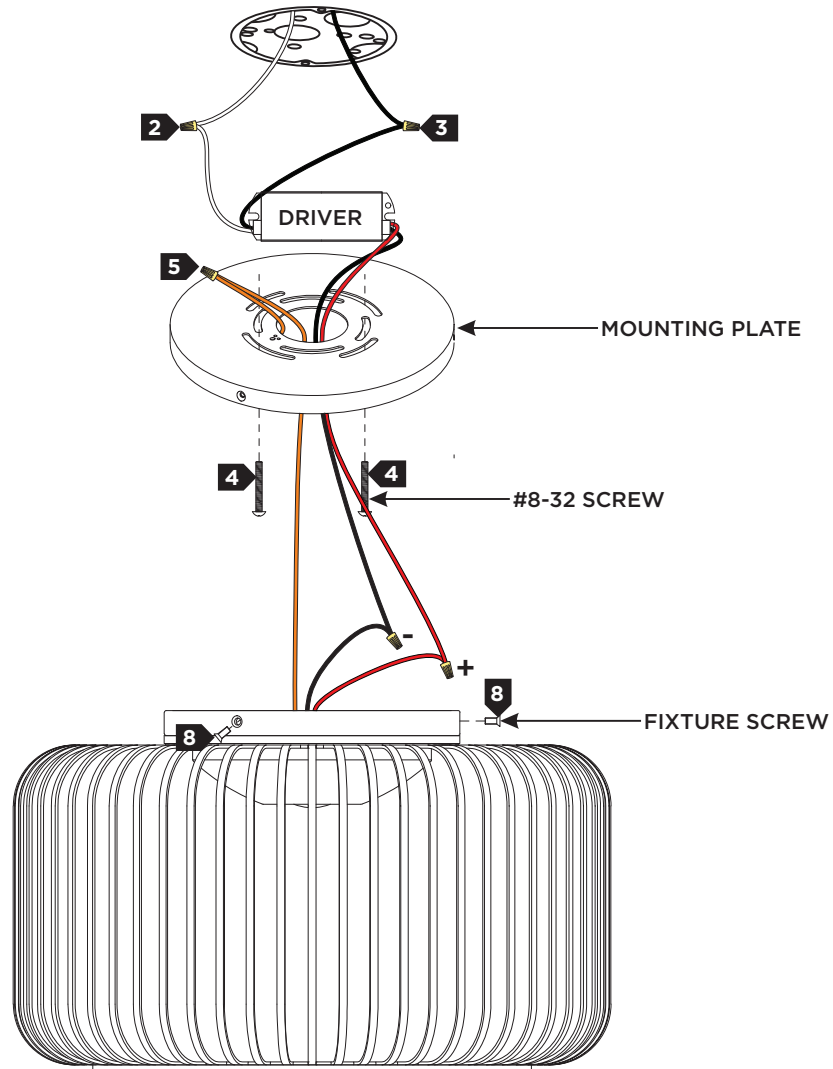
T 847.410.4400 | F

847.410.4500

www.visualcomfort.com

Install the Fixture

1A



- 1 Separate the mounting plate from the fixture by removing the fixture screws.
- 2 Connect the white driver wire to the neutral power line with a wire nut.
- 3 Connect the black driver wire to the hot power line with a wire nut.
- 4 Install the mounting plate to the junction box with the provided #8-32 screws.
- 5 Connect the fixture to a suitable ground in accordance with local electrical codes.
- 6 Connect the black fixture wire to the black driver wire with a wire nut.
- 7 Connect the red fixture wire to the red driver wire with a wire nut.
- 8 Properly place the wires and wire nut connections into the junction box, install the fixture by aligning the fixture holes to the mounting plate holes, and securing it place using the fixture screws.