

# HEIAN MEDIUM PENDANT

VISUAL COMFORT & CO.

## PRODUCT FEATURES

- Distinctly modern in design and scale
- Hand-blown glass by Italian Artisans
- Integrated LED light threaded through the center tube with a frosted diffuser
- Fully dimmable integrated LED lamp
- Protected by a 5-year warranty.

## LAMPING

Includes 120V-277V 11 watt, 522 delivered lumens, 2700K, 90 CRI LED module. Dimmable with most LED compatible ELV, TRIAC and 0-10V dimmers. Includes (2) 6" and (4) 12" rigid stems in coordinating finish. Can be installed on a sloped ceiling up to 22.5°.



Natural Brass On



Natural Brass On

Natural Brass Off

## ORDERING INFORMATION

SLPD312	COLOR TEMP	COLOR	FINISH
	27 2700K	C CLEAR	BZ BRONZE NB NATURAL BRASS

SLPD312 \_\_\_\_\_

JOB NAME \_\_\_\_\_

NOTES \_\_\_\_\_

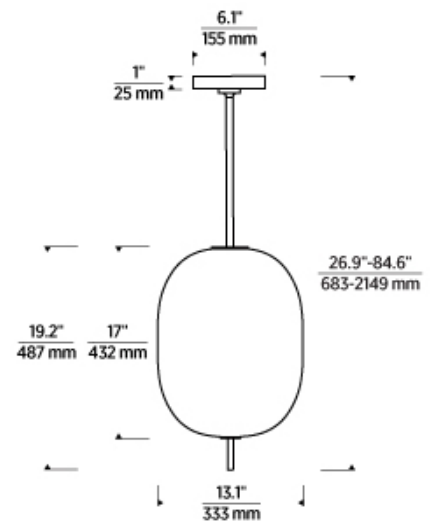


# HEIAN MEDIUM PENDANT

VISUAL COMFORT & Co.

## SPECIFICATIONS

PRIMARY MATERIAL	Brass
SHADE MATERIAL	Glass
NET WEIGHT	20 lbs
HEIGHT	19.2in
WIDTH	13.1in
LENGTH	13.1in
UP LIGHT / DOWN LIGHT / BOTH?	
WET LISTED	
DAMP LISTED	
DRY LISTED	
MIN. HANGING HEIGHT	26.9in
MAX HANGING HEIGHT	84.6in
TOTAL CORD LENGTH	
TOTAL STEM LENGTH	Up to 60in
STEM QTY	6
SLOPED CEILING ADAPTABLE?	Yes 22.5° Max
GENERAL LISTING	ETL Listed
INCLUDES	



## LAMPING SPECIFICATIONS

	LED LAMP	INTEGRATED LED	NON LED	NO LAMP
DELIVERED LUMENS		522		
WATTS		11		
MAX WATTAGE PER BULB		11W		
		Universal 120V-277V 0-10, ELV, TRIAC		
CCT		2700K		
CRI		90 CRI		
LED LIFETIME		>50000		
L70				
AVERAGE BULB HOURS				
FIELD SERVICEABLE LED				
LAMP BASE		Integrated LED		
LAMP SHAPE		Integrated LED		
LAMP INCLUDED?		True		
WARRANTY**		5 Years		

\* Dimming information available at [www.techlighting.com/Downloads#dimming](http://www.techlighting.com/Downloads#dimming)

\*\* Visit [techlighting.com](http://techlighting.com) for specific warranty limitations and details.

## T20 / T24 / JA8 INFORMATION

	Integrated LED	Replacement LED Lamp	No Lamp *
This product can be used to comply with California Building Energy Efficiency Standards 2016 Title 24 Part 6 / JA8.	Yes		
This product can be used to comply with California Appliance Efficiency Standards 2016 Title 20 and may be shipped to and sold in California.			

\* If a light fixture or component does not include a lamp or light source, it is the responsibility of the customer to select a lamp that meets the T24 and T20 requirements.

