

GAMBIT CHANDELIER

VISUAL COMFORT & Co.

PRODUCT FEATURES

- Mixed materials and contrasting design elements combine for a warm contemporary design
- Complementary Gambit wall sconce lights also available from Tech Lighting
- Medium scale perfect for dining room lighting applications
- Fully dimmable LED lamping options to create the desired ambiance
- Protected by a 1-year warranty, please visit www.techlighting.com for details



Aged Brass

LAMPING

Rated for (8) 5 watt, E12 candelabra base (Lamp Not Included). LED includes (8) 120 volt, 2 watt, 184 delivered lumens (1475 total delivered lumens), 2700K, E12 base LED vintage tubular lamps. Fixture provided with 60 inches of variable rigid stems (includes (2) 6" and (4) 12") in coordinating finish. Dimmable with most LED compatible ELV and TRIAC dimmers. Cannot be installed on sloped ceiling.



Aged Brass

Satin Nickel

Nightshade Black

Nightshade Black (Alt)

ORDERING INFORMATION

700GMB	COLOR	FINISH	LAMP
	C CLEAR	R AGED BRASS B NIGHTSHADE BLACK S SATIN NICKEL	NO LAMP -LED927 T6 LED 90 CRI 2700K 120V

700GMB _____

JOB NAME _____

NOTES _____

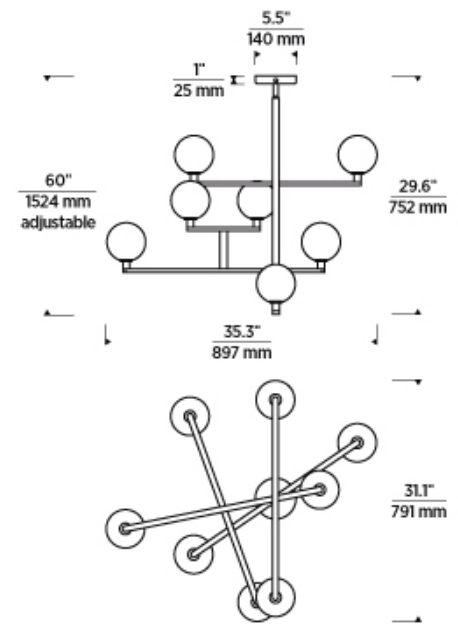


GAMBIT CHANDELIER

VISUAL COMFORT & Co.

SPECIFICATIONS

PRIMARY MATERIAL	Steel
SHADE MATERIAL	Glass
NET WEIGHT	7.5 lbs
HEIGHT	29.6in
WIDTH	31.1in
LENGTH	35.3in
UP LIGHT / DOWN LIGHT / BOTH?	
WET LISTED	
DAMP LISTED	
DRY LISTED	
MIN. HANGING HEIGHT	29.7in
MAX HANGING HEIGHT	89.7in
TOTAL CORD LENGTH	
TOTAL STEM LENGTH	Up to 60in
STEM QTY	6
SLOPED CEILING ADAPTABLE?	No
GENERAL LISTING	ETL Listed
INCLUDES	



LAMPING SPECIFICATIONS

	LED LAMP	INTEGRATED LED	NON LED	NO LAMP
DELIVERED LUMENS	1475.0			
WATTS	2			
MAX WATTAGE PER BULB	5W		5W	
	120V ELV, TRIAC		120V ELV, TRIAC	
CCT	2700K			
CRI	90 CRI			
LED LIFETIME				
L70	>25000			
AVERAGE BULB HOURS				
FIELD SERVICEABLE LED				
LAMP BASE	E12 Candelabra Base		E12 Candelabra Base	
LAMP SHAPE	T6		T6	
LAMP INCLUDED?	True		False	
WARRANTY**	1 Year		1 Year	

* Dimming information available at www.techlighting.com/Downloads#dimming

** Visit techlighting.com for specific warranty limitations and details.

T20 / T24 / JA8 INFORMATION

	Integrated LED	Replacement LED Lamp	No Lamp *
This product can be used to comply with California Building Energy Efficiency Standards 2016 Title 24 Part 6 / JA8.		Yes	N/A
This product can be used to comply with California Appliance Efficiency Standards 2016 Title 20 and may be shipped to and sold in California.		Yes	N/A

* If a light fixture or component does not include a lamp or light source, it is the responsibility of the customer to select a lamp that meets the T24 and T20 requirements.

