

ESFERA MEDIUM SCONCE

VISUAL COMFORT & Co.

PRODUCT FEATURES

LAMPING

Includes 7.6 watt, 189 delivered lumens, 2700K LED module. 120V dimmable with most LED compatible ELV and TRIAC dimmers. 277V compatible with 0-10V dimmers. Mounts vertically only. 120V or 277V.



Crystal/Nightshade Black



Crystal/Nightshade Black



Crystal/Nightshade Black Alt View



Crystal/Polished Nickel



Crystal/Polished Nickel Alt View

To view all available finish options, please visit techlighting.com

ORDERING INFORMATION

KWWS100	COLOR TEMP	COLOR	FINISH	VOLTAGE
	27 2700K	C CRYSTAL	NB NATURAL BRASS	120V
			B NIGHTSHADE BLACK	-277 277V
			N POLISHED NICKEL	

For 277V version, add -277 to the end of the item number.

KWWS100 _____
JOB NAME _____
NOTES _____

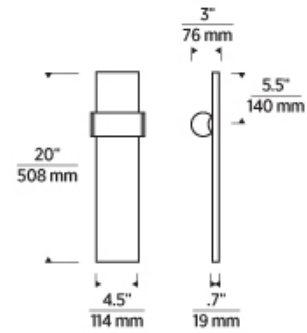


ESFERA MEDIUM SCONCE

VISUAL COMFORT & Co.

SPECIFICATIONS

PRIMARY MATERIAL	Steel Or Brass
SHADE MATERIAL	Crystal
NET WEIGHT	6 lbs
HEIGHT	20in
WIDTH	3in
LENGTH	4.5in
MIN. EXTENSION FROM WALL	3in
UP LIGHT / DOWN LIGHT / BOTH?	
WET LISTED	
DAMP LISTED	
DRY LISTED	
UP / DOWN	
HORIZONTAL / VERTICAL	
WALL / CEILING MOUNT	
GENERAL LISTING	ETL Listed
ADA COMPLIANT	
INCLUDES	



LAMPING SPECIFICATIONS

	LED LAMP	INTEGRATED LED	NON LED	NO LAMP
DELIVERED LUMENS		189		
WATTS		7.6		
MAX WATTAGE PER BULB		7.6W		
		120V ELV, TRIAC 277V 0-10V		
CCT		2700K		
CRI		90 CRI		
LED LIFETIME				
L70		>50000		
AVERAGE BULB HOURS				
FIELD SERVICEABLE LED				
LAMP BASE		Integrated LED		
LAMP SHAPE		Integrated LED		
LAMP INCLUDED?		True		
WARRANTY**		5 Years		

* Dimming information available at www.techlighting.com/Downloads#dimming

** Visit techlighting.com for specific warranty limitations and details.

T20 / T24 / JA8 INFORMATION

	Integrated LED	Replacement LED Lamp	No Lamp *
This product can be used to comply with California Building Energy Efficiency Standards 2016 Title 24 Part 6 / JA8.	No		
This product can be used to comply with California Appliance Efficiency Standards 2016 Title 20 and may be shipped to and sold in California.			

* If a light fixture or component does not include a lamp or light source, it is the responsibility of the customer to select a lamp that meets the T24 and T20 requirements.

