

## PRODUCT FEATURES

- Laser etched crystal captures the light
- This item is made of natural brass. It is a living finish that will patina and warm with age which adds richness. If it gets an uneven patina or spots, a brass cleaner can restore the finish
- Fully dimmable integrated LED lamp
- Handsome and bold design. ADA compliant
- Features die-cast metal detailing for a sophisticated appeal
- The LED Driver is housed within the junction box. (L. 3.03" | W. 1.5" | H. 1.1")



## LAMPING

Includes 35.8 watt, 3142 delivered lumens, 2700K LED module.  
 Dimmable with most LED compatible ELV, TRIAC and 0-10V dimmers.  
 Mounts horizontal only. Up or downlight. 120V-277V.

Natural Brass (Off)



Natural Brass (Off)    Natural Brass (On)    Polished Nickel (Off)    Polished Nickel (On)

To view all available finish options, please visit [techlighting.com](http://techlighting.com)

## ORDERING INFORMATION

KWBA276	COLOR TEMP	FINISH
	27 2700K	NB NATURAL BRASS B NIGHTSHADE BLACK N POLISHED NICKEL

KWBA276 \_\_\_\_\_

JOB NAME \_\_\_\_\_

NOTES \_\_\_\_\_

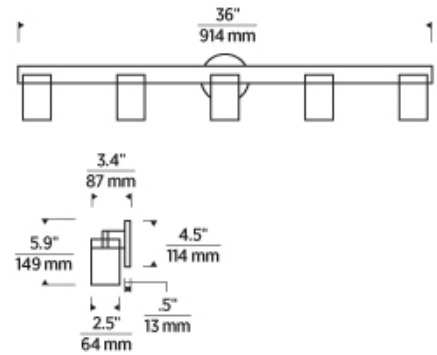


# ESFERA LARGE BATH

VISUAL COMFORT & Co.

## SPECIFICATIONS

PRIMARY MATERIAL	Steel Or Brass
SHADE MATERIAL	Crystal
NET WEIGHT	12 lbs
HEIGHT	5.9in
WIDTH	3.4in
LENGTH	36in
WET LISTED	
DAMP LISTED	
DRY LISTED	
GENERAL LISTING	ETL Listed
INCLUDES	



## LAMPING SPECIFICATIONS

	LED LAMP	INTEGRATED LED	NON LED	NO LAMP
DELIVERED LUMENS		3142		
WATTS		35.8		
MAX WATTAGE PER BULB		35.8W		
		Universal 120V-277V 0-10, ELV, TRIAC		
CCT		2700K		
CRI		90 CRI		
LED LIFETIME		>50000		
AVERAGE BULB HOURS				
FIELD SERVICEABLE LED				
LAMP BASE		Integrated LED		
LAMP SHAPE		Integrated LED		
LAMP INCLUDED?		True		
WARRANTY**		5 Years		

\* Dimming information available at [www.techlighting.com/Downloads#dimming](http://www.techlighting.com/Downloads#dimming)

\*\* Visit [techlighting.com](http://techlighting.com) for specific warranty limitations and details.

## T20 / T24 / JA8 INFORMATION

	Integrated LED	Replacement LED Lamp	No Lamp *
This product can be used to comply with California Building Energy Efficiency Standards 2016 Title 24 Part 6 / JA8.	Yes		
This product can be used to comply with California Appliance Efficiency Standards 2016 Title 20 and may be shipped to and sold in California.			

\* If a light fixture or component does not include a lamp or light source, it is the responsibility of the customer to select a lamp that meets the T24 and T20 requirements.

