

ESFERA TWO TIER MEDIUM CHANDELIER

VISUAL COMFORT & Co.

PRODUCT FEATURES

LAMPING

Includes 67.1 watts, 3994 total delivered lumens, 2700K LED modules.
Dimmable with most LED compatible ELV, Triac and 0-10V dimmers.
Ships with (4) 12" and (2) 6" rigid stems in coordinating finish. Not sloped ceiling compatible. 120V-277V Universal.



Natural Brass



Natural Brass

Nightshade Black

ORDERING INFORMATION

KWCH198	COLOR TEMP	FINISH
	27 2700K	NB NATURAL BRASS B NIGHTSHADE BLACK

KWCH198 _____

JOB NAME _____

NOTES _____

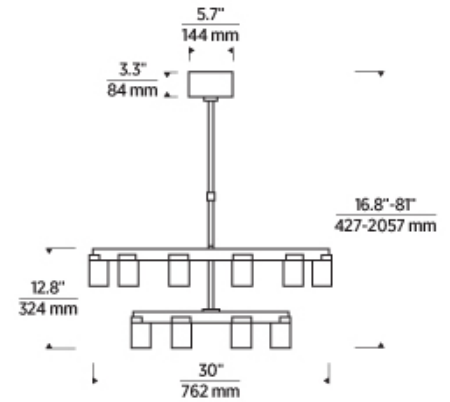


ESFERA TWO TIER MEDIUM CHANDELIER

VISUAL COMFORT & Co.

SPECIFICATIONS

PRIMARY MATERIAL	Aluminum or Brass
SHADE MATERIAL	Crystal
NET WEIGHT	44 lbs
HEIGHT	12.7in
WIDTH	32in
LENGTH	32in
UP LIGHT / DOWN LIGHT / BOTH?	
WET LISTED	
DAMP LISTED	
DRY LISTED	
MIN. HANGING HEIGHT	16.8in
MAX HANGING HEIGHT	81in
TOTAL CORD LENGTH	
TOTAL STEM LENGTH	Up to 60in
STEM QTY	6
SLOPED CEILING ADAPTABLE?	No
GENERAL LISTING	ETL Listed
INCLUDES	



LAMPING SPECIFICATIONS

	LED LAMP	INTEGRATED LED	NON LED	NO LAMP
DELIVERED LUMENS		3994		
WATTS		67.1		
MAX WATTAGE PER BULB		67.1W		
		Universal 120V-277V 0-10, ELV, TRIAC		
CCT		2700K		
CRI		90 CRI		
LED LIFETIME		>50000		
L70				
AVERAGE BULB HOURS				
FIELD SERVICEABLE LED				
LAMP BASE		Integrated LED		
LAMP SHAPE		Integrated LED		
LAMP INCLUDED?		True		
WARRANTY**		5 Years		

* Dimming information available at www.techlighting.com/Downloads#dimming

** Visit techlighting.com for specific warranty limitations and details.

T20 / T24 / JA8 INFORMATION

	Integrated LED	Replacement LED Lamp	No Lamp *
This product can be used to comply with California Building Energy Efficiency Standards 2016 Title 24 Part 6 / JA8.	Yes		
This product can be used to comply with California Appliance Efficiency Standards 2016 Title 20 and may be shipped to and sold in California.			

* If a light fixture or component does not include a lamp or light source, it is the responsibility of the customer to select a lamp that meets the T24 and T20 requirements.

