

CITYSCAPE STACKED X-LARGE LINEAR CHANDELIER

VISUAL COMFORT & CO.

PRODUCT FEATURES



LAMPING

Includes 38.1 watts, 1650 total delivered lumens, 2700K LED modules. Dimmable with most LED compatible ELV dimmers. Ships with (4) 12" and (2) 6" rigid stems in coordinating finish. 120V-277V. Not compatible with sloped ceilings.

ORDERING INFORMATION

SLLS562	COLOR TEMP	COLOR	FINISH
	27 2700K	CC CLEAR CRYSTAL	BZ BRONZE HAB HAND RUBBED ANTIQUE BRASS

SLLS562 _____

JOB NAME _____

NOTES _____

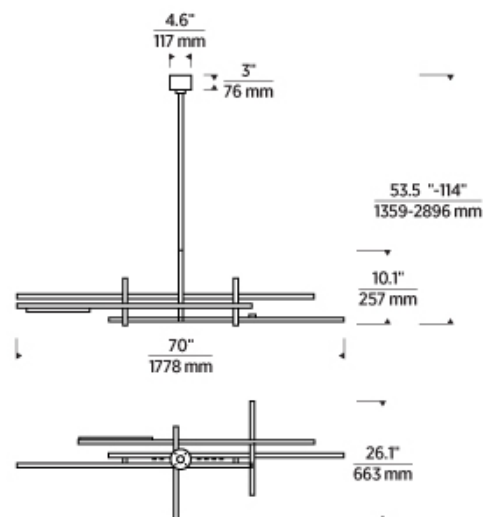


CITYSCAPE STACKED X-LARGE LINEAR CHANDELIER

VISUAL COMFORT & Co.

SPECIFICATIONS

PRIMARY MATERIAL	Brass
SHADE MATERIAL	Crystal
NET WEIGHT	22 lbs
HEIGHT	10.1in
WIDTH	26.1in
LENGTH	70in
UP LIGHT / DOWN LIGHT / BOTH?	
WET LISTED	
DAMP LISTED	
DRY LISTED	
MIN. HANGING HEIGHT	53.5in
MAX HANGING HEIGHT	114in
TOTAL CORD LENGTH	
TOTAL STEM LENGTH	Up to 60in
STEM QTY	6
SLOPED CEILING ADAPTABLE?	No
GENERAL LISTING	ETL Listed
INCLUDES	



LAMPING SPECIFICATIONS

	LED LAMP	INTEGRATED LED	NON LED	NO LAMP
DELIVERED LUMENS		1650		
WATTS		38.1		
MAX WATTAGE PER BULB		38.1W		
		Universal 120V-277V ELV		
CCT		2700K		
CRI		90 CRI		
LED LIFETIME				
L70		>50000		
AVERAGE BULB HOURS				
FIELD SERVICEABLE LED				
LAMP BASE		Integrated LED		
LAMP SHAPE		Integrated LED		
LAMP INCLUDED?		True		
WARRANTY**		5 Years		

* Dimming information available at www.techlighting.com/Downloads#dimming

** Visit techlighting.com for specific warranty limitations and details.

T20 / T24 / JA8 INFORMATION

	Integrated LED	Replacement LED Lamp	No Lamp *
This product can be used to comply with California Building Energy Efficiency Standards 2016 Title 24 Part 6 / JA8.	Yes		
This product can be used to comply with California Appliance Efficiency Standards 2016 Title 20 and may be shipped to and sold in California.			

* If a light fixture or component does not include a lamp or light source, it is the responsibility of the customer to select a lamp that meets the T24 and T20 requirements.

