

PRODUCT FEATURES



LAMPING

Includes 47.5 watts, 2418 delivered lumens, 90 CRI, 2700K LED module.
Dimmable with most LED compatible ELV, TRIAC and 0-10V dimmers.
Ceiling mount only. 120V-277V.

ORDERING INFORMATION

SLFM567	COLOR TEMP	COLOR	FINISH
	27 2700K	CC CLEAR CRYSTAL	BZ BRONZE HAB HAND RUBBED ANTIQUE BRASS

SLFM567 _____

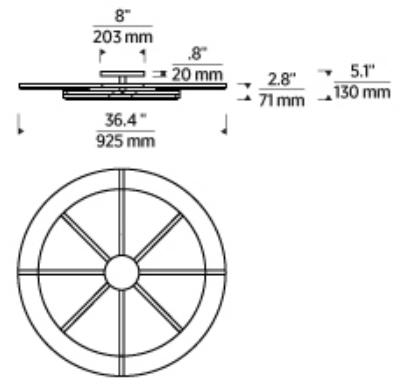
JOB NAME _____

NOTES _____



SPECIFICATIONS

PRIMARY MATERIAL	Brass
SHADE MATERIAL	Crystal
NET WEIGHT	14 lbs
HEIGHT	5.1in
WIDTH	36.4in
LENGTH	36.4in
UP LIGHT / DOWN LIGHT / BOTH?	
WET LISTED	
DAMP LISTED	
DRY LISTED	
WALL / CEILING MOUNT	
GENERAL LISTING	ETL Listed
INCLUDES	



LAMPING SPECIFICATIONS

	LED LAMP	INTEGRATED LED	NON LED	NO LAMP
DELIVERED LUMENS		2418		
WATTS		47.5		
MAX WATTAGE PER BULB		47.5W		
		Universal 120V-277V 0-10, ELV, TRIAC		
CCT		2700K		
CRI		90 CRI		
LED LIFETIME		>50000		
L70				
AVERAGE BULB HOURS				
FIELD SERVICEABLE LED				
LAMP BASE		Integrated LED		
LAMP SHAPE		Integrated LED		
LAMP INCLUDED?		True		
WARRANTY**		5 Years		

* Dimming information available at www.techlighting.com/Downloads#dimming

** Visit techlighting.com for specific warranty limitations and details.

T20 / T24 / JA8 INFORMATION

	Integrated LED	Replacement LED Lamp	No Lamp *
This product can be used to comply with California Building Energy Efficiency Standards 2016 Title 24 Part 6 / JA8.	Yes		
This product can be used to comply with California Appliance Efficiency Standards 2016 Title 20 and may be shipped to and sold in California.			

* If a light fixture or component does not include a lamp or light source, it is the responsibility of the customer to select a lamp that meets the T24 and T20 requirements.

