

PRODUCT FEATURES

- The BAU Picture Light is the American Modern version of the traditional picture light, featuring clean straight lines and integrated LED
- Modern finishes available
- Complete the look with the entire collection, including Pendants, Bath Lights, and Linear Suspension.
- The LED Driver is housed within the junction box for this product
- This item is made of natural brass. It is a living finish that will patina and warm with age which adds richness. If it gets an uneven patina or spots, a brass cleaner can restore the finish.
- Protected by a 5-year warranty. please visit the "About Us" Page on techlighting.com for more for warranty details



LAMPING

Includes 25.9 watt, 1009 delivered lumens 90 CRI 3000K LED module. Dimmable with most LED compatible ELV, TRIAC and 0-10V dimmers. 120V-277V. Downlight only.

Natural Brass



Natural Brass

Nightshade Black

Polished Nickel

Natural Brass Alt View

To view all available finish options, please visit techlighting.com

ORDERING INFORMATION

SLPCT19	COLOR TEMP	FINISH
	303000K	NB NATURAL BRASS B NIGHTSHADE BLACK N POLISHED NICKEL

SLPCT19 _____

JOB NAME _____

NOTES _____

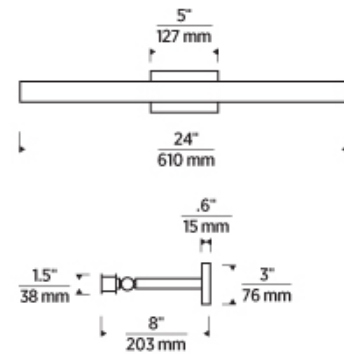


BAU 24 PICTURE LIGHT

VISUAL COMFORT & Co.

SPECIFICATIONS

PRIMARY MATERIAL	Steel Or Brass
SHADE MATERIAL	Acrylic
NET WEIGHT	3.5 lbs
HEIGHT	3in
WIDTH	8in
LENGTH	24in
MIN. EXTENSION FROM WALL	8in
UP LIGHT / DOWN LIGHT / BOTH?	
WET LISTED	
DAMP LISTED	
DRY LISTED	
UP / DOWN	
HORIZONTAL / VERTICAL	
WALL / CEILING MOUNT	
GENERAL LISTING	ETL Listed
ADA COMPLIANT	
INCLUDES	



LAMPING SPECIFICATIONS

	LED LAMP	INTEGRATED LED	NON LED	NO LAMP
DELIVERED LUMENS		1009		
WATTS		25.9		
MAX WATTAGE PER BULB		25.9W		
		Universal 120V-277V 0-10, ELV, TRIAC		
CCT		3000K		
CRI		90 CRI		
LED LIFETIME		>50000		
L70				
AVERAGE BULB HOURS				
FIELD SERVICEABLE LED				
LAMP BASE		Integrated LED		
LAMP SHAPE		Integrated LED		
LAMP INCLUDED?		True		
WARRANTY**		5 Years		

* Dimming information available at www.techlighting.com/Downloads#dimming

** Visit techlighting.com for specific warranty limitations and details.

T20 / T24 / JA8 INFORMATION

	Integrated LED	Replacement LED Lamp	No Lamp *
This product can be used to comply with California Building Energy Efficiency Standards 2016 Title 24 Part 6 / JA8.	Yes		
This product can be used to comply with California Appliance Efficiency Standards 2016 Title 20 and may be shipped to and sold in California.			

* If a light fixture or component does not include a lamp or light source, it is the responsibility of the customer to select a lamp that meets the T24 and T20 requirements.

