

Aero

700FJAE_

1.7

VISUAL COMFORT & Co.

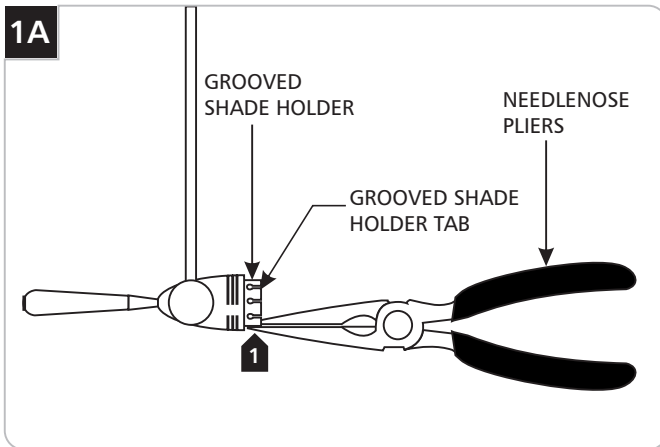
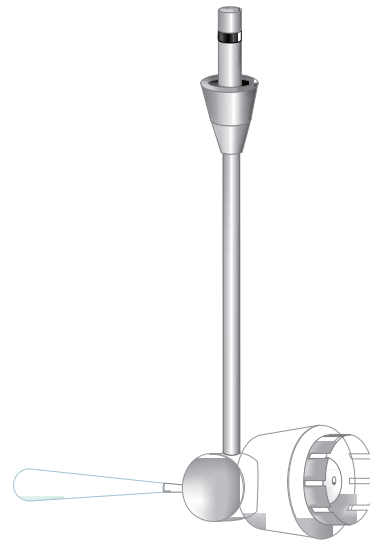
MODERN COLLECTION

GENERAL PRODUCT INFORMATION:



This product is ETL listed and suitable only for indoor dry locations and approved for use at any height above the finished floor.

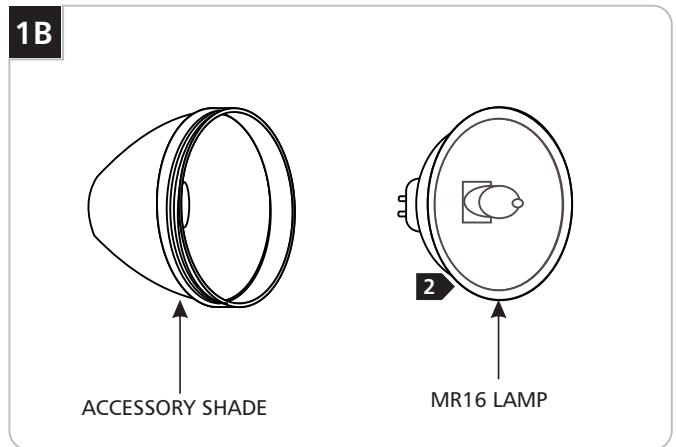
Round Glass Shield, Cone Glass Shield, Martini, Dichroic, Moonlet, Firebird Glass Shield, Prism, Belladonna, Bell, Tinkerbell, Lil Egypt, Meteorite, Moonlet, Droplet, and Wood Handle are the applicable accessories.



1 If applicable accessory fits tight or loose onto the Aero fixture, then carefully bend the grooved shade holder tabs in or out slightly with needle-nose pliers.

NOTE: Bend the grooved shade holder tabs carefully. Excessive bending may break the tabs.

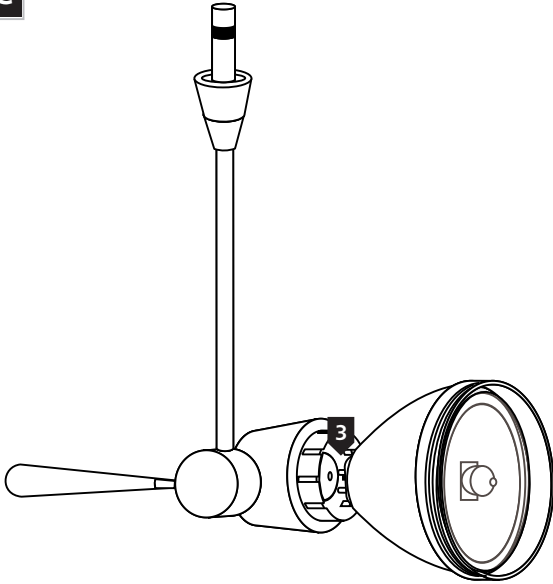
CAUTION: To reduce the risk of a burn or electric shock during relamping, disconnect the power to the fixture.



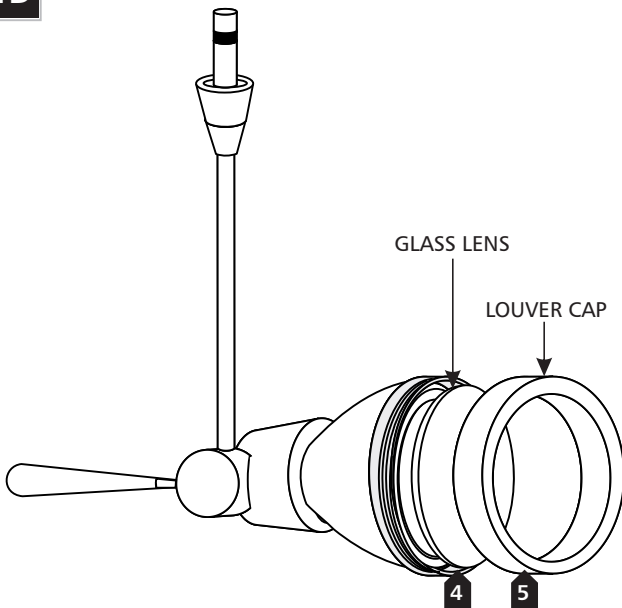
Use **MAX 50 Watt**, MR16 Front Cover Halogen Lamp.



2 Insert the MR16 lamp into the proper accessory shade.

1C

- 3** Line up the lamp pins with the socket holes. Insert the MR16 lamp pins into the socket holes, simultaneously push the accessory shade onto the grooved shade holder.

1D

- 4** Place the optional louver or glass lens accessory into the louver cap (This applies only for Round Glass Back Shield or Cone Glass Shield).
- 5** Screw the Louver cap to the louver base (This applies only for Round Glass Back Shield or Cone Glass Shield).

IMPORTANT SAFETY INSTRUCTIONS

To reduce the risk of fire, electrical shock, exposure to excessive UV radiation, or injury to person:

- Use this fixture indoors only.
- Do not look directly at the lighted lamp.
- Do not remain in light if skin feels warm.
- Risk of fire: Use only the type of lamp and maximum wattage indicated in this instruction manual.
- Never cover the halogen lamp with anything other than a Tech Lighting lamp shield and never place flammable material close to your fixture.
- Never turn the fixture on and off by connecting and disconnecting the halogen lamp.
- Do not touch the fixture shades or lamp shield while the fixture is on. These surfaces may be HOT.

Halogen Lamp General Information

- A new halogen lamp may smoke slightly when it is used for the first time. This is perfectly normal; the protective coating is simply being vaporized.

Two Tips For Prolonging Halogen Lamp Life

- First avoid touching the lamp with bare hands during installation. Any contaminant, even the oil from your hands can deteriorate the lamp. Rubbing alcohol can be used to remove any contaminant.
- Second, do not run the lamps at full power when you do not need to. However, if dimming the fixture for an extended period of time, occasionally bring the light up to full brightness for a few minutes to complete the halogen cycle.

SAVE THESE INSTRUCTIONS!

VISUAL COMFORT & CO.

7400 Linder Ave, Skokie, IL 160077

800.969.3347

www.visualcomfort.com

©2023 Visual Comfort & Co.. All rights reserved. The Visual Comfort & Co. logo is a registered trademark of Visual Comfort & Co. Visual Comfort & Co. reserves the right to change specifications for product improvements without notification