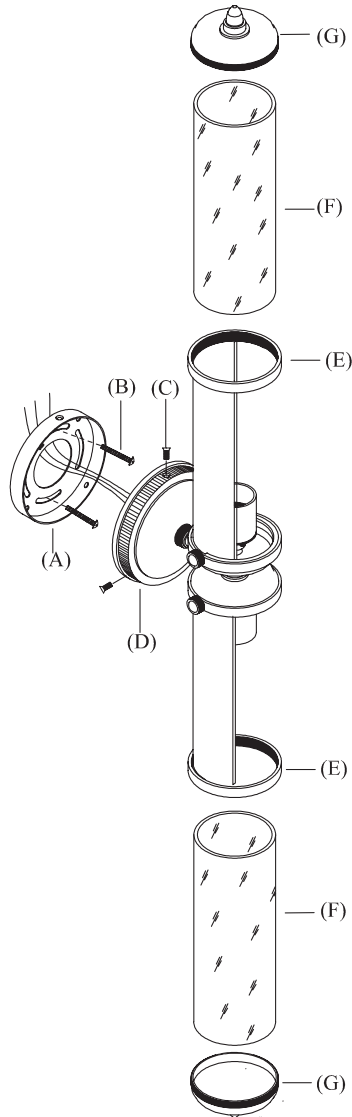


## ASSEMBLY INSTRUCTIONS



## Merchant Double Bath Light

Item # TOB2207

**WE RECOMMEND INSTALLATION OF THIS LIGHTING FIXTURE BE DONE BY A LICENSED ELECTRICIAN.**

**WARNING \*\*\* SWITCH OFF THE MAIN ELECTRICAL SUPPLY FROM THE MAIN FUSE BOX/CIRCUIT BREAKER BEFORE INSTALLATION.**

**INSPECT ITEM CAREFULLY BEFORE ATTEMPTING TO INSTALL. IF THERE IS ANY DAMAGE OR OBVIOUS DEFECT, DO NOT INSTALL.**

**ITEM MAY NOT BE RETURNED ONCE IT HAS BEEN INSTALLED.**

1. Remove mounting plate (A) from fixture base (D) by removing base screws (C).
2. Gently pull the wires from the wall outlet and allow the wires to hang. Thread the wires through the center hole in mounting plate (A).
3. Affix mounting plate (A) to wall outlet box with mounting screws (B) provided.
4. Attach ground (green) wire to ground wire from wall outlet box (usually green or copper in color), fasten together with a plastic wire connector. Tightly wrap the wire connector with electrical tape so the end of the connector is sealed. IT IS IMPERATIVE THAT THE OUTLET BOX IN YOUR HOME BE PROPERLY GROUNDED.
5. Connect neutral (white) fixture wire coming from fixture base to neutral (usually white) outlet wire. Fasten both wires together with a plastic wire connector and tightly wrap the wire connector with electrical tape.
6. Repeat the procedure with the hot (black) wires. Always make sure that no wire strands are left outside the connectors. DO NOT REVERSE THE HOT AND NEUTRAL CONNECTIONS OR SAFETY WILL BE COMPROMISED.
7. Attach fixture base (D) to affixed mounting plate (A) and tighten with base screws (C). Make sure the direction of fixture base (D) is follow the direction label shownen at backside of fixture base (D). This way will avoid the water enter/keep inside of shade.
8. Remove caps (G) from top opening of shade holding frames (E). Insert light bulbs into sockets.
9. Insert the glass cylinders (F) into shade holding frames (E) and screwing caps (G) to the both side opening of shade holding frames (E) to secure glass cylinders (F) to the shade holding frames.

## ASSEMBLY INSTRUCTIONS

### Merchant Double Bath Light

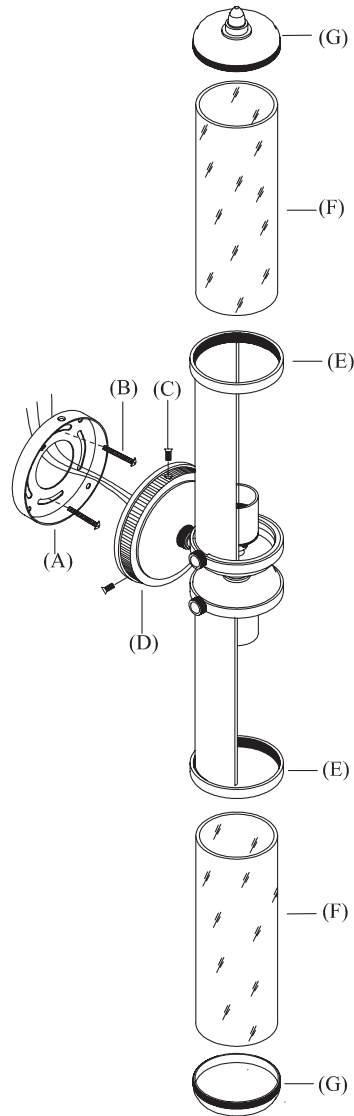
Item # TOB2207

**WE RECOMMEND INSTALLATION OF THIS LIGHTING FIXTURE BE DONE BY A LICENSED ELECTRICIAN.**

**WARNING \*\*\* SWITCH OFF THE MAIN ELECTRICAL SUPPLY FROM THE MAIN FUSE BOX/CIRCUIT BREAKER BEFORE INSTALLATION.**

**INSPECT ITEM CAREFULLY BEFORE ATTEMPTING TO INSTALL. IF THERE IS ANY DAMAGE OR OBVIOUS DEFECT, DO NOT INSTALL.**

**ITEM MAY NOT BE RETURNED ONCE IT HAS BEEN INSTALLED.**



#### 10. INSTRUCTIONS FOR MOUNTING FIXTURE OUTDOORS AND/OR IN WET LOCATION:

- a. Mounting surface should be clean, dry, flat and 1/4" larger than backplate on all sides. Any gaps between the mounting surface and backplate exceeding 3/16" should be corrected as required.
- b. With silicone (ex. GE-108) caulking compound, caulk completely around where back of canopy/fixture base meets the wall surface to prevent water from seeping into outlet box.