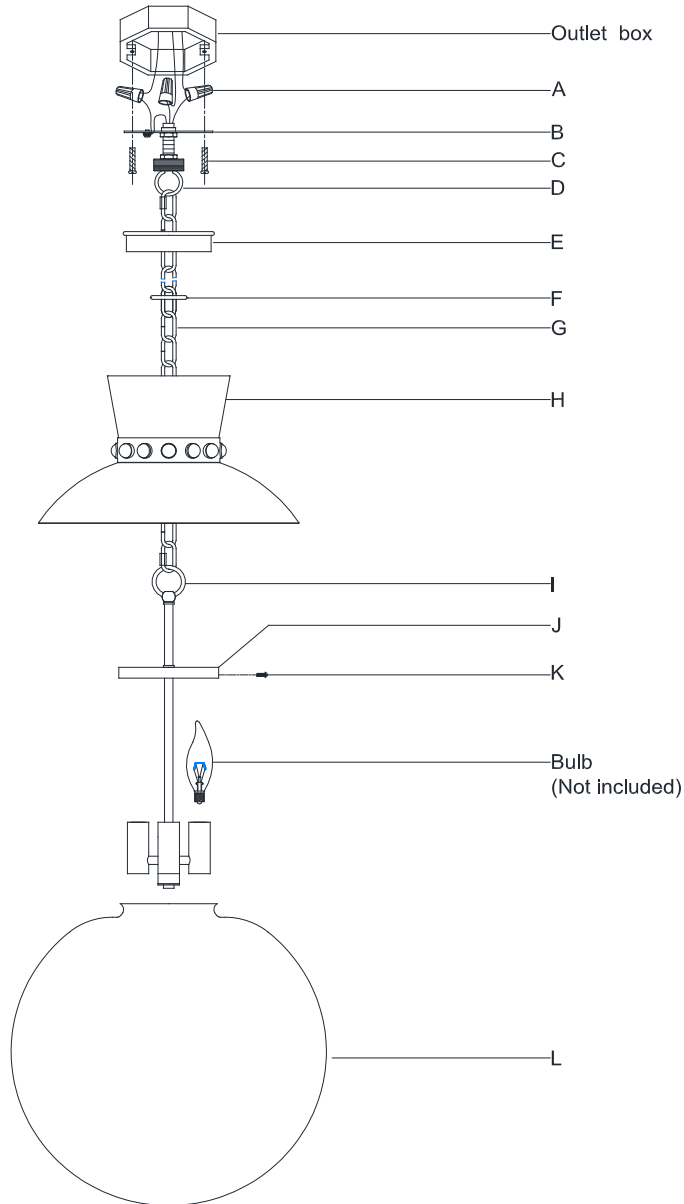


ASSEMBLY INSTRUCTIONS



Lucia Large Pendant

Item # JN 5052

WE RECOMMEND INSTALLATION OF THIS LIGHTING FIXTURE BE DONE BY A LICENSED ELECTRICIAN.

WARNING***SWITCH OFF THE MAIN ELECTRICAL SUPPLY FROM THE MAIN FUSE BOX/CIRCUIT BREAKER BEFORE INSTALLATION.

INSPECT ITEM CAREFULLY BEFORE ATTEMPTING TO INSTALL. IF THERE IS ANY DAMAGE OR OBVIOUS DEFECT. DO NOT INSTALL.

ITEM MAY NOT BE RETURNED ONCE IT HAS BEEN INSTALLED.

NOTE: CAREFULLY UNPACK EACH PIECE IN TOP LAYER OF PACKING PRIOR TO REMOVING. RETAIN ALL PACKING MATERIAL UNTIL INSPECTION AND INSTALLATION ARE FINAL.

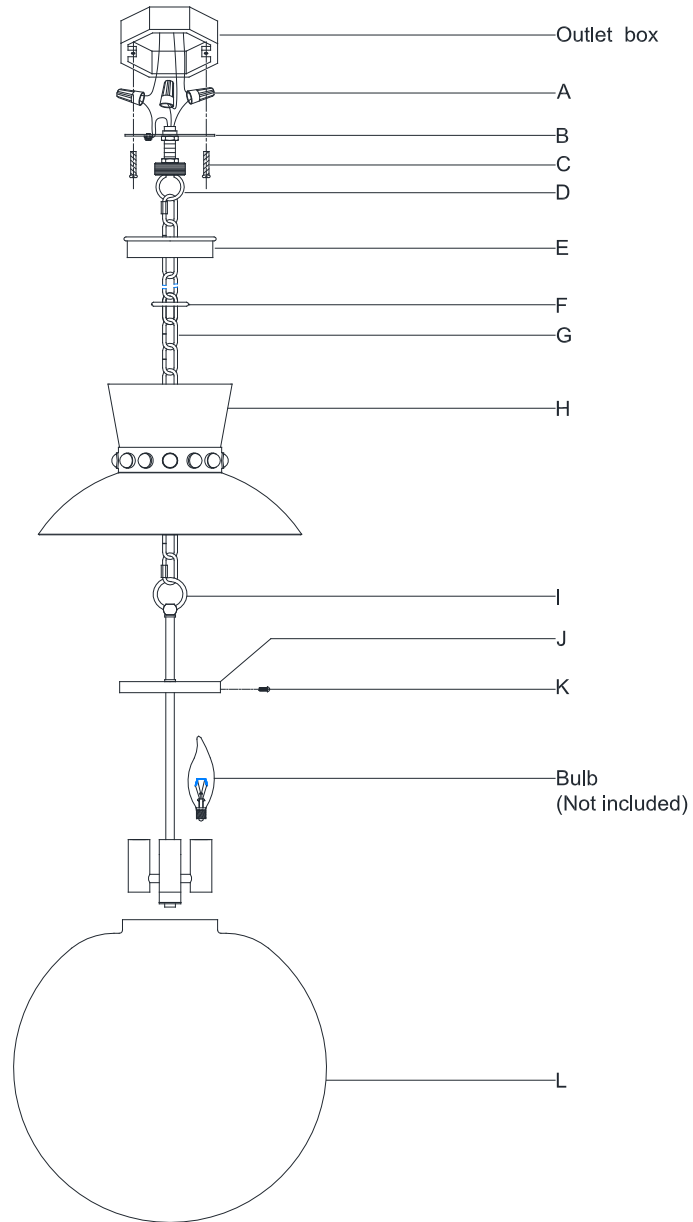
1. Carefully remove all parts from the box.
2. Put the metal cap (H) on the top of the glass holder (J).
3. Install the crossbar (B) with ceiling loop (D) to the outlet box by mounting screws (C) provided.
4. With the fixture desired height, shorten the chain (G) as needed using a pair of chain pliers.
5. Open the chain quick link, then attach the chain quick link to the top ring (I). Secure the chain quick link.
6. Let collar ring (F) and canopy (E) go through the chain (G).
7. Open the chain quick link, then attach the chain quick link to the ceiling loop (D). Secure the chain quick link.
8. Weave the power supply cord and the ground wire through the chain (G).
9. When you reach the canopy and ceiling loop, measure the wires then cut. Be certain to leave enough length to connect inside of the outlet box.
10. Strip the insulation back on the two power supply wires about 5/8".
11. Twist the power supply and ground wire together and push through the center hole of the ceiling loop (D).
12. Connect the fixture ground (bare) wire with the ground wire from the outlet box using wire nut (A). If your house does not have ground wire, then attach this wire to the green grounding screw inside of the outlet box.

IT IS IMPERATIVE THAT THIS FIXTURE BE GROUNDED.



VISUAL COMFORT & Co. Est. 1987

ASSEMBLY INSTRUCTIONS



Lucia Large Pendant

Item # JN 5052

WE RECOMMEND INSTALLATION OF THIS LIGHTING FIXTURE BE DONE BY A LICENSED ELECTRICIAN.

WARNING***SWITCH OFF THE MAIN ELECTRICAL SUPPLY FROM THE MAIN FUSE BOX/CIRCUIT BREAKER BEFORE INSTALLATION.

INSPECT ITEM CAREFULLY BEFORE ATTEMPTING TO INSTALL. IF THERE IS ANY DAMAGE OR OBVIOUS DEFECT. DO NOT INSTALL.

ITEM MAY NOT BE RETURNED ONCE IT HAS BEEN INSTALLED.

NOTE: CAREFULLY UNPACK EACH PIECE IN TOP LAYER OF PACKING PRIOR TO REMOVING. RETAIN ALL PACKING MATERIAL UNTIL INSPECTION AND INSTALLATION ARE FINAL.

13. Connect the fixture Neutral wire (ribbed) with the neutral wire (White) from the outlet box using wire nut (A).

14. Connect the fixture Hot wire (smooth, marks with words) with the hot wire (Black) from the outlet box using wire nut (A).

DO NOT REVERSE THE HOT AND NEUTRAL CONNECTIONS OR SAFETY WILL BE COMPROMISED.

15. Tuck these wire connections neatly into the outlet box to secure.

16. Put canopy (E) to the ceiling, and secure with collar ring (F).

17. Insert bulbs (not included) into the sockets.

18. Put up the metal cap (H), attach the glass shade (L) to the glass holder (J) and secure with screws (K), then put down the metal cap (H).

19. Installation is complete, turn on power at fuse or circuit breaker.

***Clean with a dry, soft cloth only. Use no harsh abrasives or chemical agents.

