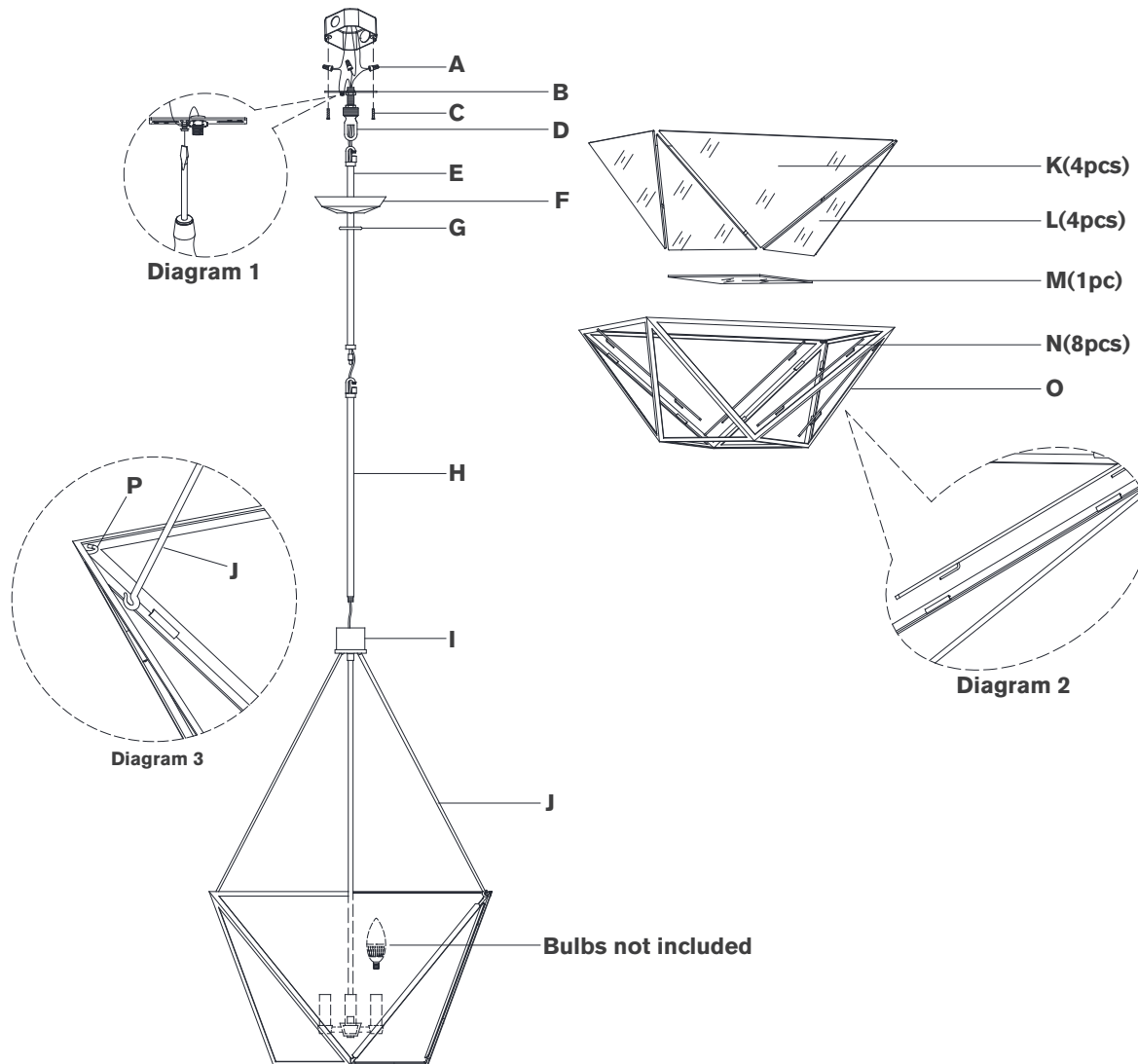


ASSEMBLY INSTRUCTIONS



Lorino Large Lantern

Item # JN 5240

NOTICE:

This light fixture should be installed in accordance with all applicable, local installation codes, and by a person familiar with the construction and operation of it, as well as the hazards involved. Inspect item and contents carefully. If any damage or defect is found, do not install. Retain all packaging material until installation is complete and approved.

TOOLS REQUIRED (NOT INCLUDED):

Phillips Screwdriver Slotted Screwdriver Wire Cutters
Wire Strippers

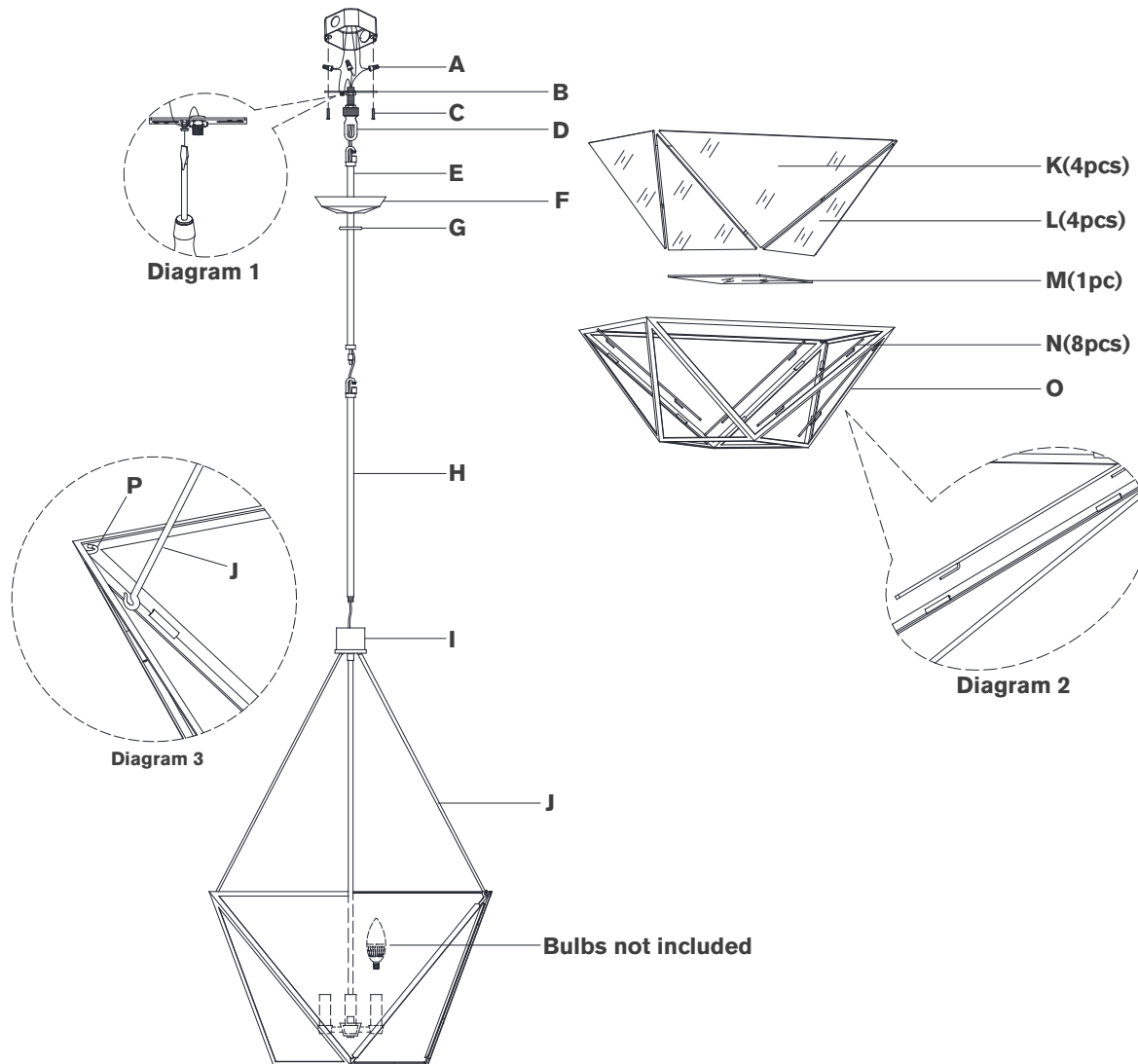
1. Carefully remove all parts from the box. Place on a clean, soft surface.
2. Remove mounting plate **(B)** from canopy **(F)** by unscrewing.
3. Install mounting plate **(B)** to the junction box and secure with mounting screws **(C)**.
4. Secure collar loop **(D)** to mounting plate **(B)** using pliers to tighten locknut.
5. Feed electrical and ground wires through bottom rod **(H)** and connect to fixture body **(I)**.
6. Continue feeding wires through collar ring **(G)**, canopy **(F)** and top rod **(E)**.
7. Holding fixture upright, slide collar ring **(G)** and canopy **(F)** down and rest on fixture body **(I)**. Then connect top rod **(E)** to bottom rod **(H)**. Secure links at ends of rods.

NOTE: Slide components down slowly to avoid damages.

8. Hang top rod **(E)** to collar loop **(D)**. Secure link at end of rod.
9. Cut excess wires, being sure to leave enough to reach the junction box. Separate wires, and strip insulation on each 5/8".
10. Wrap fixture ground wire (bare copper) around the green grounding screw (see diagram 1). Tighten. Continue fixture ground wire and connect to supply ground wire (usually green or bare copper) using wire nut **(A)**.

NOTE: It is imperative that the fixture is grounded.

ASSEMBLY INSTRUCTIONS



Lorino Large Lantern

Item # JN 5240

NOTICE:

This light fixture should be installed in accordance with all applicable, local installation codes, and by a person familiar with the construction and operation of it, as well as the hazards involved. Inspect item and contents carefully. If any damage or defect is found, do not install. Retain all packaging material until installation is complete and approved.

11. Connect fixture neutral wire (ribbed) to the supply neutral wire (usually white) using wire nut **(A)**.
12. Connect fixture hot wire (smooth with markings) to the supply hot wire (usually black) using wire nut **(A)**.
CAUTION: Do not reverse the hot and neutral connections.
13. Make sure all wire connections are tight, then carefully tuck into the junction box.
14. Install canopy **(F)** to mounting plate **(B)** and secure with collar ring **(G)**.
15. Install glass panels **(K, L & M)** to fixture frame **(O)** and secure with metal bars **(N)**. See diagram 2.
16. Install light bulbs into the sockets.
17. Install fixture frame **(O)** by hanging hooks **(P)** to rods **(J)**.
See diagram 3.

Care Instructions: Clean only with a soft dry cloth or feather duster. Do Not use abrasive or chemical agents.