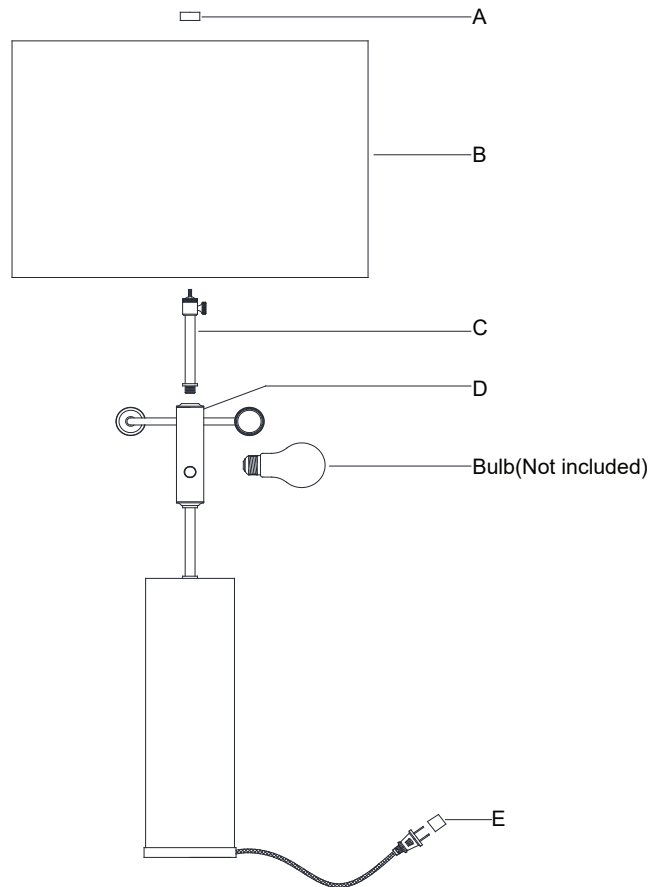


## ASSEMBLY INSTRUCTIONS



## Lineham Table Lamp

Item # ARN 3024

**INSPECT ITEM CAREFULLY BEFORE ATTEMPTING TO INSTALL. IF THERE IS ANY DAMAGE OR OBVIOUS DEFECT. DO NOT INSTALL.**

**ITEM MAY NOT BE RETURNED ONCE IT HAS BEEN INSTALLED.**

**NOTE: CAREFULLY UNPACK EACH PIECE IN TOP LAYER OF PACKING PRIOR TO REMOVING. RETAIN ALL PACKING MATERIAL UNTIL INSPECTION AND INSTALLATION ARE FINAL.**

1. Carefully remove all parts from the box.
2. Thread the shade riser (C) to the top of the fixture body (D).
3. Remove the finial (A) from the shade riser (C).
4. Place the shade (B) (packaged separately) to the shade riser (C) and secure with the finial (A) .
5. Insert bulbs (not included) into the socket.
6. Remove the protective plug cover (E) from the plug.
7. Plug into a proper electrical outlet and test the fixture.
8. Installation is complete.

\*\*\*Clean with a dry, soft cloth only. Use no harsh abrasives or chemical agents.