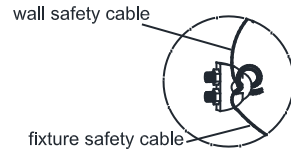
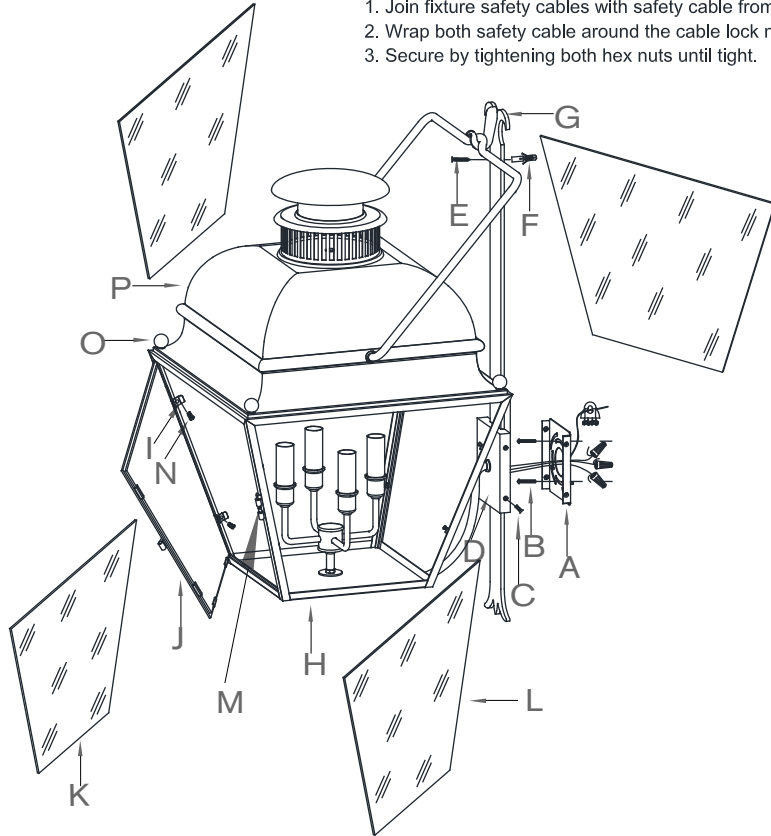


ASSEMBLY INSTRUCTIONS



- To assemble safety cables:
1. Join fixture safety cables with safety cable from wall.
 2. Wrap both safety cable around the cable lock nut.
 3. Secure by tightening both hex nuts until tight.



Holborn Large Bracket Wall Sconce Item # CHO 2215

WE RECOMMEND INSTALLATION OF THIS LIGHTING FIXTURE BE DONE BY A LICENSED ELECTRICIAN.

WARNING * SWITCH OFF THE MAIN ELECTRICAL SUPPLY FROM THE MAIN FUSE BOX/CIRCUIT BREAKER BEFORE INSTALLATION.**

INSPECT ITEM CAREFULLY BEFORE ATTEMPTING TO INSTALL. IF THERE IS ANY DAMAGE OR OBVIOUS DEFECT, DO NOT INSTALL.

ITEM MAY NOT BE RETURNED ONCE IT HAS BEEN INSTALLED.

1. Carefully remove all parts from the carton.
2. Open the lantern cap (P) by removing the ball nuts (O).
3. Remove mounting plate (A) from fixture base (D) by removing base screws (C) in counter-clockwise direction.
4. Position fixture base (D) on the wall outlet box. Mark a point for the hanging hole of bracket (G) on the wall. Remove fixture base (D).
5. Drill small hole on the point location on the wall, the hole should be large enough to accommodate to the plastic anchor (F). Push plastic anchor (F) into the hole in the wall.
6. Affix mounting plate (A) to wall outlet box and secure with mounting screws (B).
7. Letting the wood screw (E) pass through the hole of bracket (G) and screw it into plastic anchor (F) until tight to secure the bracket (G) to the wall.
8. Gently pull the wires from the wall outlet and allow the wires to hang. Thread the wires through the center hole in mounting plate (A).
9. Attach fixture steel safety cable to structural member in the wall. (Refer to the illustration)
10. Attach ground (green) wire to ground wire from wall outlet box (usually green or copper in color), fasten together with a plastic wire connector. Tightly wrap the wire connector with electrical tape, so the end of the connector is sealed. IT IS IMPERATIVE THAT THE OUTLET BOX IN YOUR HOME BE PROPERLY GROUNDED.
11. Connect neutral (white) fixture wire coming from fixture base to neutral (usually white) outlet wire. Fasten both wires together with a plastic wire connector and tightly wrap the wire connector with electrical tape.
12. Repeat the procedure with the hot (black) wires. Always make sure that no wire strands are left outside the connectors. DO NOT REVERSE THE HOT AND NEUTRAL CONNECTIONS OTHERWISE SAFETY WILL BE COMPROMISED.
13. Attach fixture base (D) to mounting plate (A) and secure by inserting base screws (C).
14. Open the door (J) by removing the lock pin (M).
15. Remove metal tabs (I) from inside of lantern box (H) by removing screws (N), insert glass panels (L) to the frame of lantern box and secure by placing metal tabs (I) to the glass panels, tighten with screws (N).
16. Slide the glass panel (K) to the door (J).
17. Insert light bulbs (not included) into sockets.
18. Close the door (J) with the lock pin (M).
19. Replace the lantern cap (P) to the lantern box and secure with ball nuts (O).
20. INSTRUCTIONS FOR MOUNTING FIXTURE OUTDOORS AND/OR IN WET LOCATION:
 - a. Mounting surface should be clean, dry, flat and 1/4" larger than canopy/fixture base on all sides. Any gaps between the mounting surface and fixture base exceeding 3/16" should be corrected as required.
 - b. With silicone (ex. GE-108) caulking compound, caulk completely around where back of canopy/fixture base meets the wall surface to prevent water from seeping into outlet box. TO AVOID WATER ENTERING THE FIXTURE BASE FROM THE SIDE OF FIXTURE, THIS FIXTURE MUST BE MOUNTED ABOVE 1.2M (4 FT) FROM GROUND.

*** Clean with a dry, soft cloth only. Use no harsh abrasives or chemical agents.