

## ASSEMBLY INSTRUCTIONS

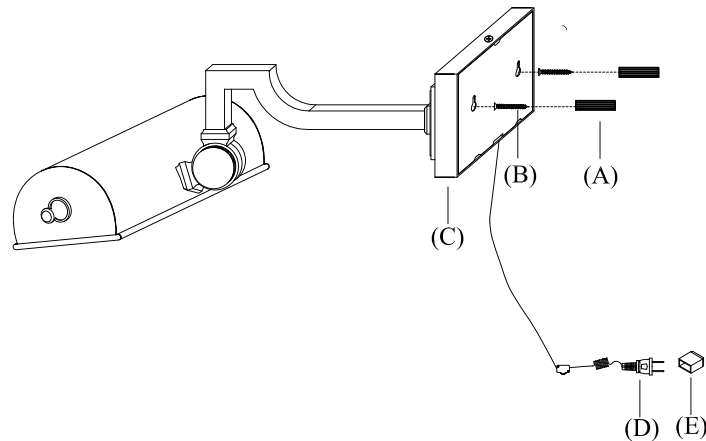
### Dean 9" Picture Light Item # AH2700

**WE RECOMMEND INSTALLATION OF THIS LIGHTING FIXTURE BE DONE BY A LICENSED ELECTRICIAN.**

**WARNING \*\*\* SWITCH OFF THE MAIN ELECTRICAL SUPPLY FROM THE MAIN FUSE BOX/CIRCUIT BREAKER BEFORE INSTALLATION.**

**INSPECT ITEM CAREFULLY BEFORE ATTEMPTING TO INSTALL. IF THERE IS ANY DAMAGE OR OBVIOUS DEFECT, DO NOT INSTALL.**

**ITEM MAY NOT BE RETURNED ONCE IT HAS BEEN INSTALLED.**



PORTABLE MOUNTING  
(Fig. 1)

#### TO ASSEMBLE:

\*\*\* (PORTABLE ASSEMBLY) \*\*\* (See Fig. 1)

1. Remove all parts carefully from the box.
2. Measure the distance for the center points between both mounting holes at back of fixture base (C). Mark two points with the same distance on the wall, make sure they are horizontal with each other.
3. Drill small holes at both points, the holes should be big enough to accommodate with plastic anchors (A). Install plastic anchors (A) into the holes in the wall.
4. Insert mounting screws (B) into plastic anchors (A), make sure screwhead with 1/8" threads are visible.
5. Hook fixture base (C) onto both screws (B).
6. Insert the specified light bulb into socket.
7. Remove plastic cover (E) from plug (D).
8. Plug lamp into wall outlet.

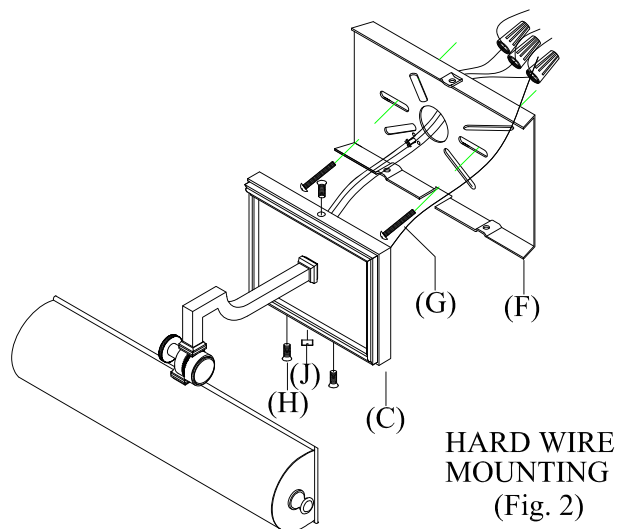
\*\*\* (HARD WIRE INSTALLATION) \*\*\* (See Fig. 2)

We strongly recommend that a professional electrician install the fixture.

Switch off the main electrical supply from the main fuse box/ circuit breaker before installation.

1. Follow step 1 of PORTABLE ASSEMBLY.
2. Guide wiring from wall outlet through center hole in mounting plate (F). Affix mounting plate (F) to wall outlet box with mounting screws (G) provided.
3. Cut the wire twelve inches away from fixture base (C).
4. Insert the DW plug (J) to the threaded hole vacated by the cord.
5. Connect the ground screw (green color) of the fixture to the bare copper ground wire in the box. The insulation on the fixture cord that was cut to twelve inches in step 3 has a smooth side and a ribbed side. Connect the smooth wire to the black wire in the outlet box (not shown in diagram). Connect the ribbed wire to the white wire in the outlet box.
6. Attach fixture base (C) to the affixed mounting plate (F), and secure with base screws (H).
7. Insert light bulbs Type T, maximum 40 watt into sockets.

\*\*\* Clean with a dry, soft cloth only. Use no harsh abrasives or chemical agents.



HARD WIRE  
MOUNTING  
(Fig. 2)

