

ASSEMBLY INSTRUCTIONS

Dalston Medium Hanging Pendant

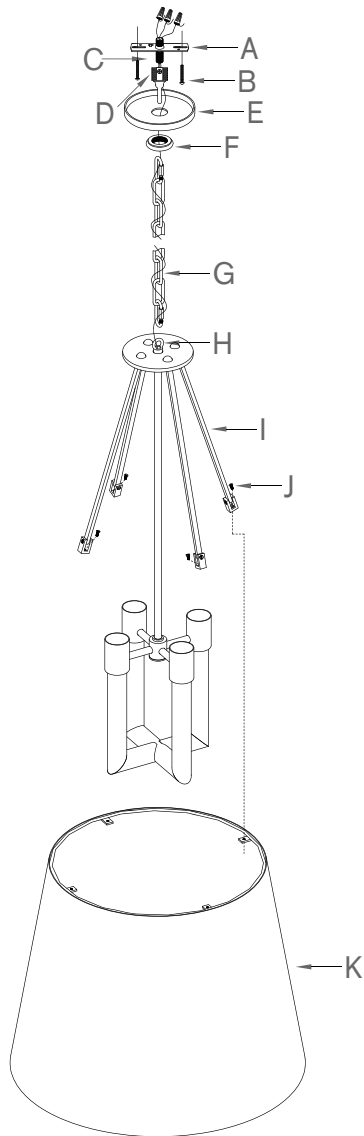
Item # SP5020

WE RECOMMEND INSTALLATION OF THIS LIGHTING FIXTURE BE DONE BY A LICENSED ELECTRICIAN.

WARNING * SWITCH OFF THE MAIN ELECTRICAL SUPPLY FROM THE MAIN FUSE BOX/CIRCUIT BREAKER BEFORE INSTALLATION.**

INSPECT ITEM CAREFULLY BEFORE ATTEMPTING TO INSTALL. IF THERE IS ANY DAMAGE OR OBVIOUS DEFECT, DO NOT INSTALL.

ITEM MAY NOT BE RETURNED ONCE IT HAS BEEN INSTALLED.



11. Tuck the wire connections neatly into the ceiling outlet box.
12. Slip canopy (E) to ceiling and secure with canopy ring (F).
13. Remove screws (J) from shade (K), attach the bracket to shade (K), aligning the four holes on the bracket with the four holes on the shade (K) and secure by tightening screws (J).
14. Insert light bulbs (not included) into sockets.
15. Installation is complete. Restore power and test fixture.

*** Clean with a dry, soft cloth only. Do not use harsh abrasives or chemical agents..