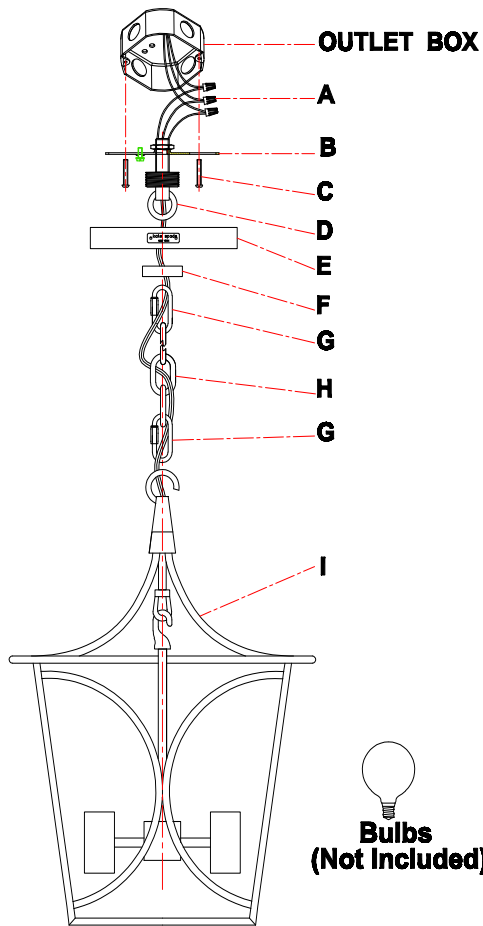


## ASSEMBLY INSTRUCTIONS



## Cavanagh Mini Lantern Semi-Flush Mount

### Item # KS 5143

WE RECOMMEND INSTALLATION OF THIS LIGHTING FIXTURE BE DONE BY A LICENSED ELECTRICIAN.

WARNING\*\*\*SWITCH OFF THE MAIN ELECTRICAL SUPPLY FROM THE MAIN FUSE BOX/CIRCUIT BREAKER BEFORE INSTALLATION.

INSPECT ITEM CAREFULLY BEFORE ATTEMPTING TO INSTALL. IF THERE IS ANY DAMAGE OR OBVIOUS DEFECT. DO NOT INSTALL.

ITEM MAY NOT BE RETURNED ONCE IT HAS BEEN INSTALLED.

NOTE: CAREFULLY UNPACK EACH PIECE IN TOP LAYER OF PACKING PRIOR TO REMOVING. RETAIN ALL PACKING MATERIAL UNTIL INSPECTION AND INSTALLATION ARE FINAL.

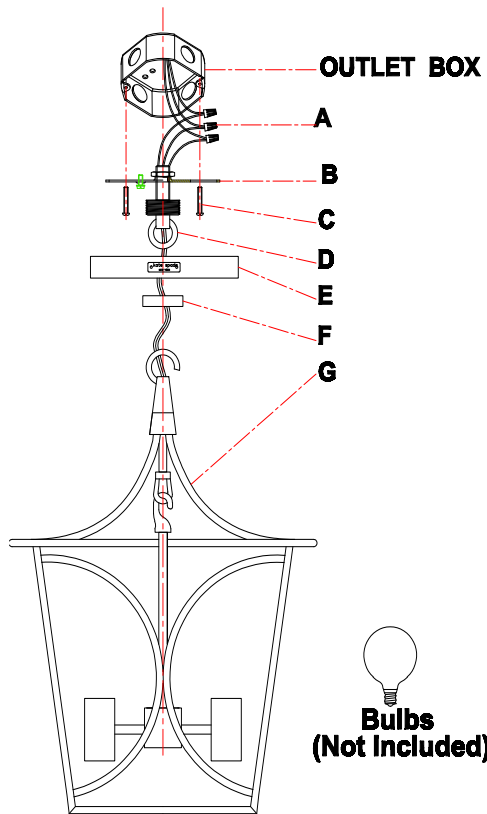
### Lantern Pattern

1. Carefully remove all parts from the box.
  2. Thread off the lock collar (F) from the ceiling loop (D).
  3. Unscrew the chain end link (G) and attach chain (H) to the fixture (I).
  4. Close the chain end link (G).
  5. Pass the lock collar (F) and canopy (E) through the chain (H).
  6. Install the crossbar (B) with ceiling loop (D) to the outlet box by mounting screws (C).
  7. Unscrew the other chain end link (G) and attach the fixture (I) to the ceiling loop (D).
  8. Close the chain end link (G).
  9. Connect the ground wire from fixture (I) to the ground wire from ceiling box.
- IT IS IMPERATIVE THAT THIS FIXTURE BE GROUNDED.
10. Connect the hot wire from fixture (I) to the hot wire from ceiling box using wire nuts (A).
  11. Repeat this procedure for the neutral wire from the fixture to the neutral wire from ceiling box using wire nuts (A).
- DO NOT REVERSE THE HOT AND NEUTRAL CONNECTIONS OR SAFETY WILL BE COMPROMISED.
12. Put canopy (E) to the ceiling loop (D), and secure with lock collar (F).
  13. Insert bulbs (not included) into the sockets.
  14. Installation is complete, turn on power at fuse or circuit breaker.

\*\*\*Clean with a dry, soft cloth only. Use no harsh abrasives or chemical agents.



## ASSEMBLY INSTRUCTIONS



## Cavanagh Mini Lantern Semi-Flush Mount Item # KS 5143

WE RECOMMEND INSTALLATION OF THIS LIGHTING FIXTURE BE DONE BY A LICENSED ELECTRICIAN.

WARNING\*\*\*SWITCH OFF THE MAIN ELECTRICAL SUPPLY FROM THE MAIN FUSE BOX/CIRCUIT BREAKER BEFORE INSTALLATION.

INSPECT ITEM CAREFULLY BEFORE ATTEMPTING TO INSTALL. IF THERE IS ANY DAMAGE OR OBVIOUS DEFECT. DO NOT INSTALL.

ITEM MAY NOT BE RETURNED ONCE IT HAS BEEN INSTALLED.

NOTE: CAREFULLY UNPACK EACH PIECE IN TOP LAYER OF PACKING PRIOR TO REMOVING. RETAIN ALL PACKING MATERIAL UNTIL INSPECTION AND INSTALLATION ARE FINAL.

### Semi-Flush Mount Pattern

1. Carefully remove all parts from the box.
  2. Thread off the lock collar (F) from the ceiling loop (D).
  3. Install the crosserbar (B) to the ceiling by mounting screws (C).
  4. Let canopy (E) and lock collar (F) pass the ceiling loop (D) and hang the fixture (G) to the ceiling loop (D).
  5. Connect the ground wire from fixture (G) to the ground wire from ceiling box.
- IT IS IMPERATIVE THAT THIS FIXTURE BE GROUNDED.
6. Connect the hot wire from fixture (G) to the hot wire from ceiling box using wire nuts (A).
  7. Repeat this procedure for the neutral wire from the fixture to the neutral wire from ceiling box using wire nuts (A).
- DO NOT REVERSE THE HOT AND NEUTRAL CONNECTIONS OR SAFETY WILL BE COMPROMISED.
8. Secure the canopy (E) to the ceiling loop (D) by lock collar (F).
  9. Insert bulbs (not included) into the sockets
  10. Installation is complete, turn on power at fuse or circuit breaker.

\*\*\*Clean with a dry, soft cloth only. Use no harsh abrasives or chemical agents.

