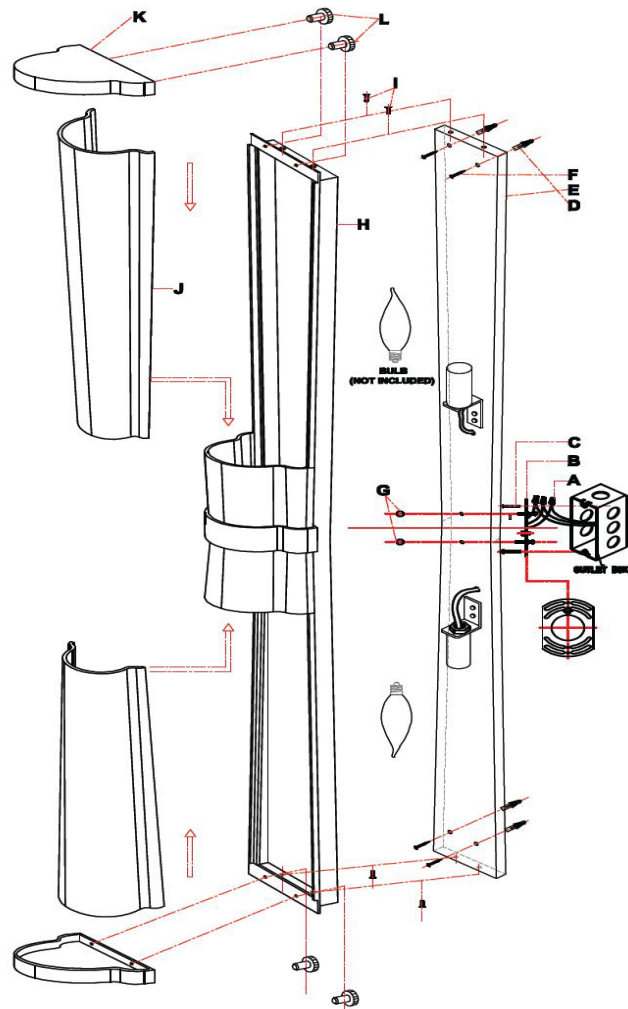


## ASSEMBLY INSTRUCTIONS



## Carew Linear Sconce

### Item # CHD 1563

WE RECOMMEND INSTALLATION OF THIS LIGHTING FIXTURE BE DONE BY A LICENSED ELECTRICIAN.

WARNING\*\*\*SWITCH OFF THE MAIN ELECTRICAL SUPPLY FROM THE MAIN FUSE BOX/CIRCUIT BREAKER BEFORE INSTALLATION.

INSPECT ITEM CAREFULLY BEFORE ATTEMPTING TO INSTALL. IF THERE IS ANY DAMAGE OR OBVIOUS DEFECT. DO NOT INSTALL.

ITEM MAY NOT BE RETURNED ONCE IT HAS BEEN INSTALLED.

NOTE: CAREFULLY UNPACK EACH PIECE IN TOP LAYER OF PACKING PRIOR TO REMOVING. RETAIN ALL PACKING MATERIAL UNTILL INSPECTION AND INSTALLATION ARE FINAL.

1. Carefully remove all parts from the box.
2. Unscrew the screws (L) from the top caps (K).
3. Remove the backplate (E) from fixture (H) by unscrewing side screws (I).
4. Affix the mounting plate (B) to the outlet box by tighten mounting screws (C).
5. Affix the anchors (D) to the wall.
6. Connect the hot wire (BLACK) from the fixture to the wire from the outlet box (usually BLACK) using wire nuts (A).
7. Connect the neutral wire (WHITE) from the fixture to the wire from the outlet box (usually WHITE) using wire nuts (A).
- DO NOT REVERSE THE HOT AND NEUTRAL CONNECTIONS OR SAFETY WILL BE ·  
· COMPROMISED.
8. Connect the fixture ground (bare) wire with the ground wire from the outlet box using wire nuts (A).
- IT IS IMPERATIVE THAT THIS FIXTURE BE GROUNDED.
9. Affix the backplate (E) to the anchors (D) by tighten the screws (F).
10. Affix the backplate (E) to the mounting plate (B) using ball screws (G).
11. Put the glass shades (J) into the fixture (H) and secure the top caps (K) using screws (L).
12. Insert the bulbs (not included) into the sockets.
13. Affix the fixture (H) to the backplate (E) using side screws (I).
14. Installation is complete, turn on power at fuse or circuit breaker.

\*\*\*Clean with a dry, soft cloth only. Use no harsh abrasives or chemical agents.



VISUAL COMFORT & Co. Est. 1987