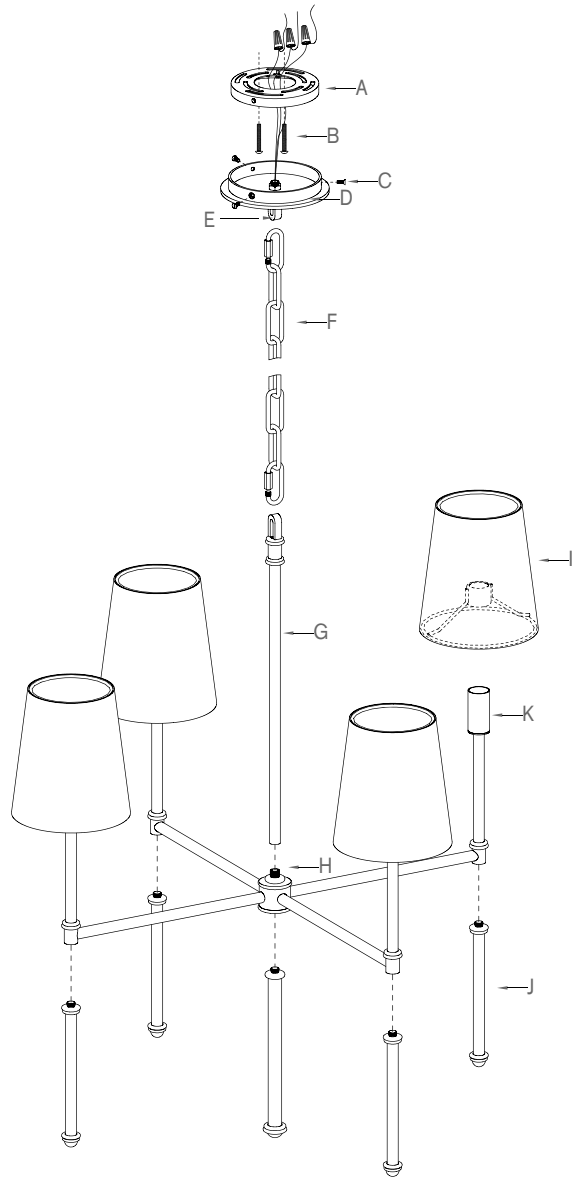


ASSEMBLY INSTRUCTIONS



Camille Small Chandelier

Item # SK5050

WE RECOMMEND INSTALLATION OF THIS LIGHTING FIXTURE BE DONE BY A LICENSED ELECTRICIAN.

WARNING * SWITCH OFF THE MAIN ELECTRICAL SUPPLY FROM THE MAIN FUSE BOX/CIRCUIT BREAKER BEFORE INSTALLATION.**

INSPECT ITEM CAREFULLY BEFORE ATTEMPTING TO INSTALL. IF THERE IS ANY DAMAGE OR OBVIOUS DEFECT, DO NOT INSTALL.

ITEM MAY NOT BE RETURNED ONCE IT HAS BEEN INSTALLED.

1. Carefully remove all parts from the carton.
2. Screw lamp pole (G) onto the top nipple (H) of light fixture by turning in clockwise direction.
3. Attach chain (F) to top loop on top of pole (G).
4. Screw connection rod (J) into the bottom opening of light fixture by turning in clockwise direction.
5. Remove mounting plate (A) from base of light fixture (D) by removing base screws (C) in counter-clockwise direction.
6. Affix mounting plate (B) to ceiling outlet box with mounting screws (B) provided.
7. Attach chain (F) with light fixture to mounting loop (E) at desired height.
8. Connect ground wire from the light fixture (bare copper) to ground wire (green or copper in color), fasten together with a plastic wire connector. Tightly wrap the wire from ceiling outlet box with electrical tape, so the end of the connector is sealed. IT IS IMPERATIVE THAT THE OUTLET BOX IN YOUR HOME BE PROPERLY GROUNDED.
9. Connect the hot wires (smooth wires) from the light fixture to the hot junction box wire from ceiling outlet box (usually black). Fasten together with a plastic wire connector provided and tightly wrap wire connector with electrical tape.
10. Repeat the procedure with neutral wires (ribbed wire) from the light fixture to the wire from ceiling outlet box (usually white). DO NOT REVERSE THE HOT AND NEUTRAL CONNECTIONS OTHERWISE SAFETY WILL BE COMPROMISED.
11. Attach fixture base (D) to the affixed mounting plate (A) and tighten with base screw (C).
12. Slip the center cap of shades (I) onto the socket tubes (K).
13. Insert light bulbs (not included) Type B, maximum 40 watt into sockets.
14. Installation is complete. Restore power and test fixture.

*** Clean with a dry, soft cloth only. Use no harsh abrasives or chemical agents.