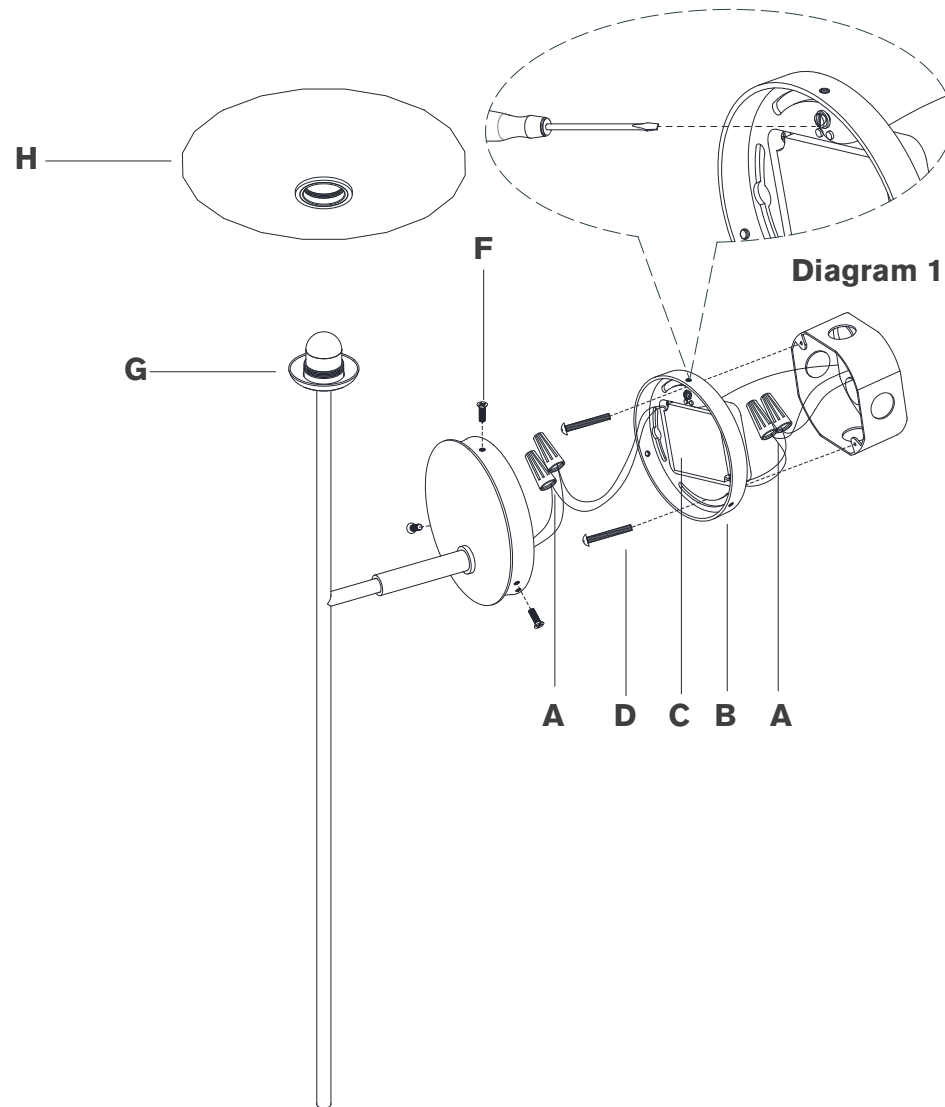


ASSEMBLY INSTRUCTIONS



Calvino Large Tail Sconce

Item # S 2690

NOTICE:

This light fixture should be installed in accordance with all applicable, local installation codes, and by a person familiar with the construction and operation of it, as well as the hazards involved. Inspect item and contents carefully. If any damage or defect is found, do not install. Retain all packaging material until installation is complete and approved.

TOOLS REQUIRED (NOT INCLUDED):

Phillips Screwdriver	Slotted Screwdriver	Wire Cutters
Slip Joint Pliers	Wire Strippers	

1. Carefully remove all parts from the box. Place on a clean, soft surface.
2. Remove mounting plate **(B)** from fixture by removing screws **(F)**.
3. Connect supply ground wire (usually green or bare copper) around the green grounding screw (see diagram 1). Tighten.
NOTE: It is imperative that the fixture is grounded.
4. Connect driver **(C)** input neutral wire (white) to the supply neutral wire (usually white) using wire nut **(A)**.
5. Connect driver **(C)** input fixture hot wire (black) to the supply hot wire (usually black) using wire nut **(A)**.
CAUTION: Do not reverse the hot and neutral connections.
6. Install mounting plate **(B)** to junction box and secure with mounting screws **(D)**.
7. Connect fixture neutral wire (black) to the driver **(C)** output neutral wire (black) using wire nut **(A)**.
8. Connect fixture hot wire (red) to the driver **(C)** output hot wire (red) using wire nut **(A)**.
9. Make sure all wire connections are tight, then carefully tuck into the junction box.
10. Install fixture to mounting plate **(B)** and secure with screws **(F)**.
11. Thread shade **(H)** to socket **(G)**.

NOTE: Do not overtighten otherwise shade could become damaged.

Care Instructions: Clean only with a soft dry cloth or feather duster. Do not use abrasive or chemical agents.

VISUAL COMFORT

