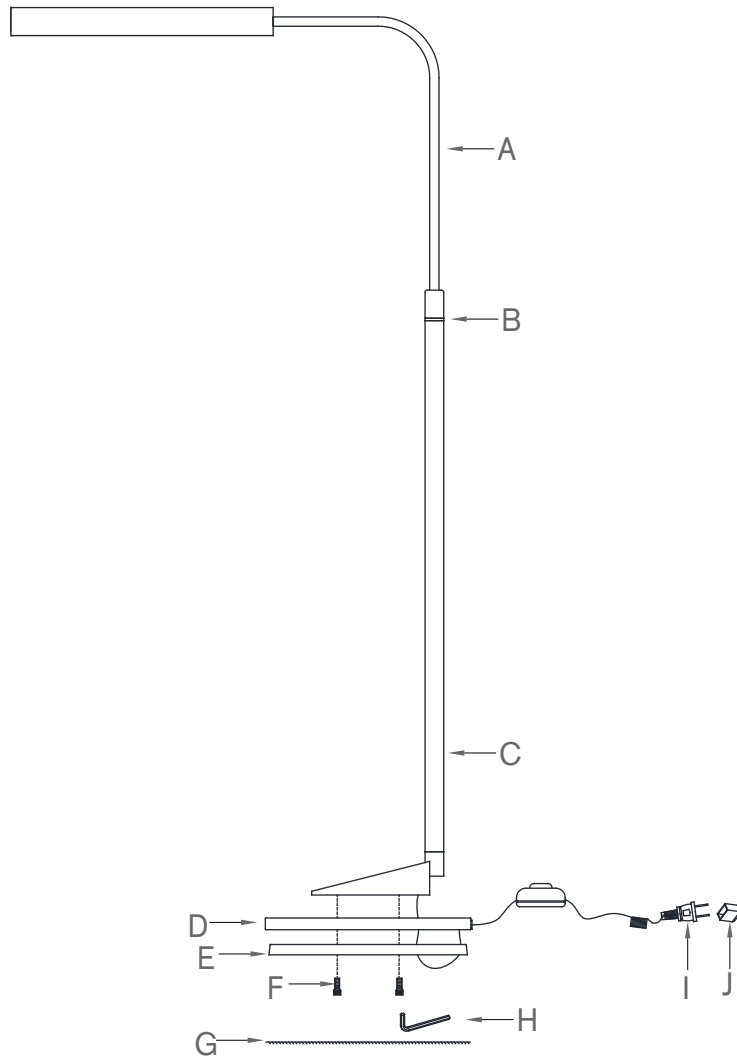


## ASSEMBLY INSTRUCTIONS

### Austin Adjustable Floor Lamp Item # S 1350

**INSPECT ITEM CAREFULLY BEFORE ATTEMPTING TO INSTALL. IF THERE IS ANY DAMAGE OR OBVIOUS DEFECT, DO NOT INSTALL.**

**ITEM MAY NOT BE RETURNED ONCE IT HAS BEEN INSTALLED.**



1. Carefully remove all parts from the carton.
2. Join pole (C), lamp base (D) and base weight (E) together by aligning the holes and insert bolts (F) to the holes and tighten with Allen wrench (H).
3. Pull the wire tight from the cord exit hole.
4. Remove the backing sheet of felt paper (G), affix the felt paper to the underneath base weight (E).
5. Remove plastic cover (J) from electrical plug (I).
6. Plug lamp into wall outlet
7. Please touch the switch on the floor by foot to turn on or off the lamp.

#### Adjustment Instructions:

1. Loosen the collar (B).
2. Adjust the lamp height by pulling or pushing upper pole (A) up or down to desired height.
3. Tighten the collar (B).

\*\*\*Clean with a dry, soft cloth only. Use no harsh abrasives or chemical agents.