

DAMASCO

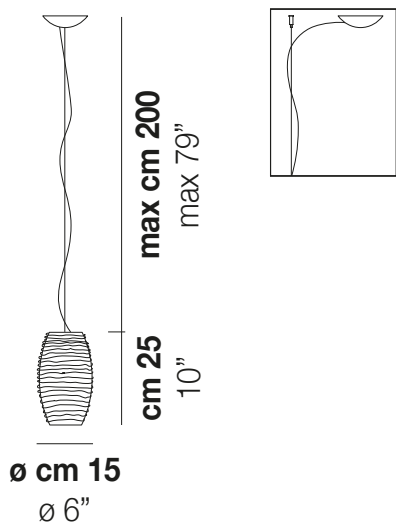
Design Paolo Crepax

DAMASCO SP M



Due to its versatility, one of our most successful series that has been developed and extended during the years with new versions. It is produced with the bozzolo technique that consists in applying threads of molten glass that create an organic texture.

DAMASCO SP M



TECHNICAL DATA:



CERTIFICATIONS:

LIGHT SOURCES

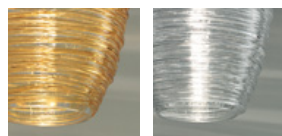
	1x60W	120V/60HZ	E26
	1x12 W	35 V	Led 2700 K 12 W 35 V 1500 lm DIM2 Phase Cut
	1x12 W	35 V	Led 2700 K 12 W 35 V 1500 lm DIM3 0-10V, Push

VOLUME	Mc 0,08
GROSS WEIGHT	Kg 8
NET WEIGHT	Kg 5

download



SHADE FINISHING



CRAM

CRCR

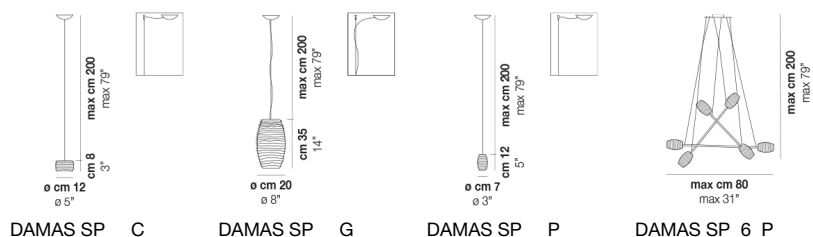
FRAME FINISHING



NI

OTHER VERSION AVAILABLE

Click on the version to go to the web version of the product



DAMAS SP C

DAMAS SP G

DAMAS SP P

DAMAS SP 6 P